

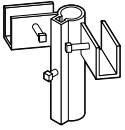
HEWITT



VERS-A-DOCK

INSTALLATION INSTRUCTIONS

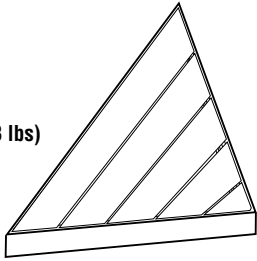
VERS-A-DOCK PARTS



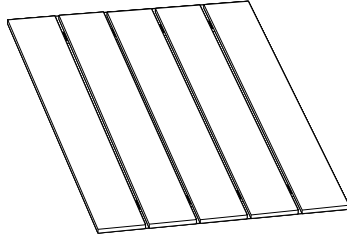
Corner Pipe holder (3 lbs)
DV101



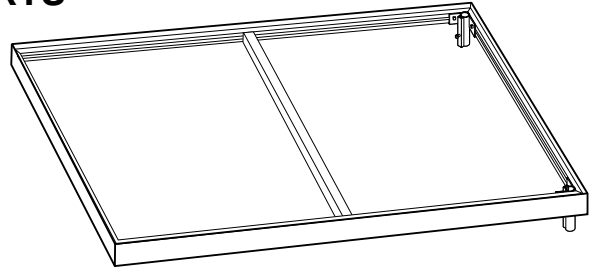
Dock Connection
Clamp (1-1/2 lbs)
DV102



Optional
Triangle Section

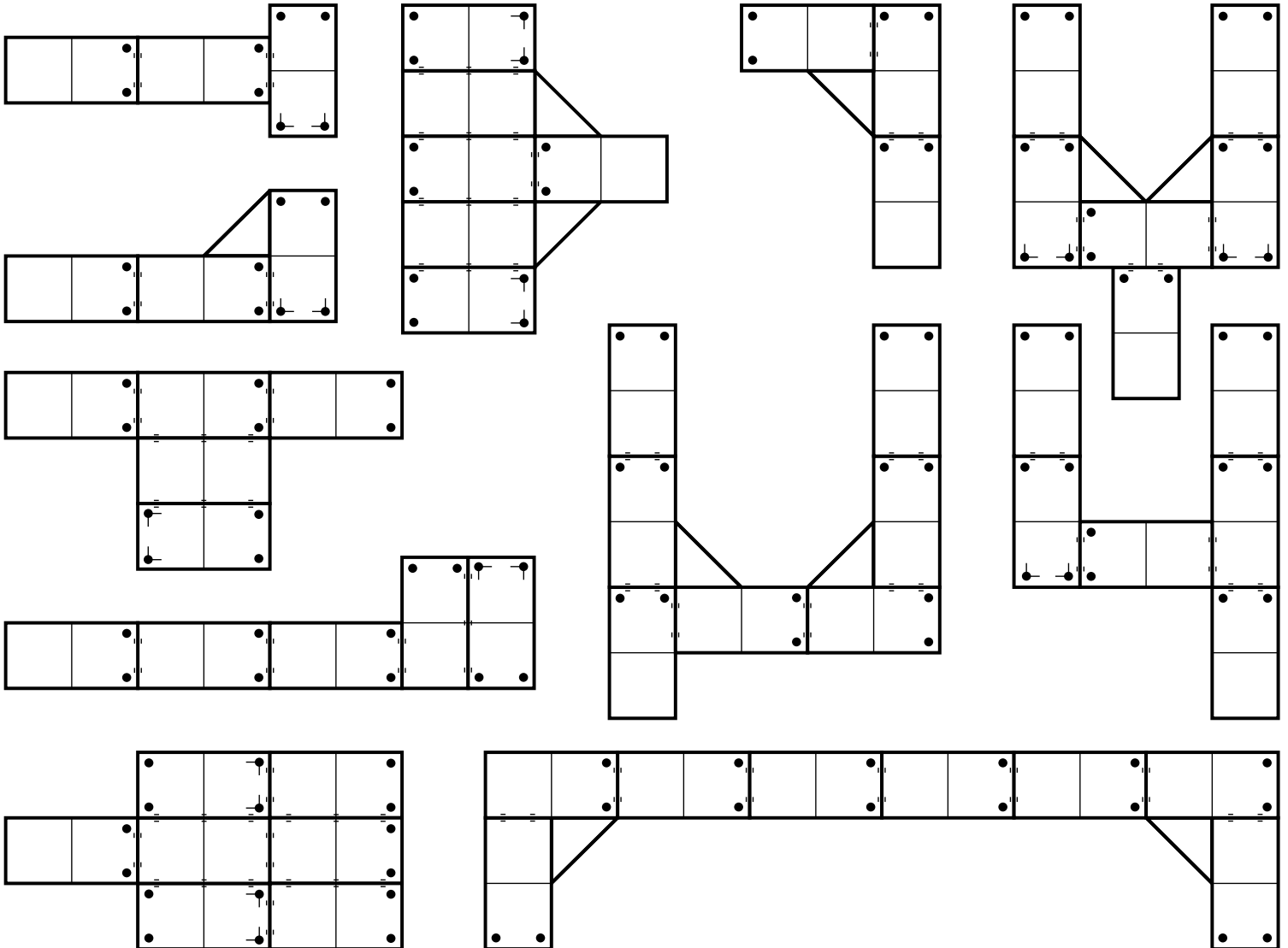


4' x 4' Decking Section (36 lbs)
Choose From 6 Options



4' x 8' Dock Section (38 lbs)
With 2 Corner Pole Brackets And 2 Poles (54 lbs)

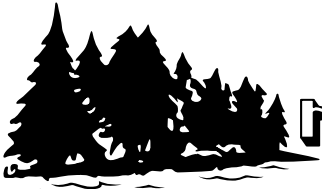
TYPICAL CONFIGURATIONS



"Quality Since 1971"

HEWITT MACHINE & MFG, INC. Box 111 Nicollet, MN 56074 (507) 225-3421

www.hewitt-roll-a-dock.com e-mail: info@hewitt-roll-a-dock.com



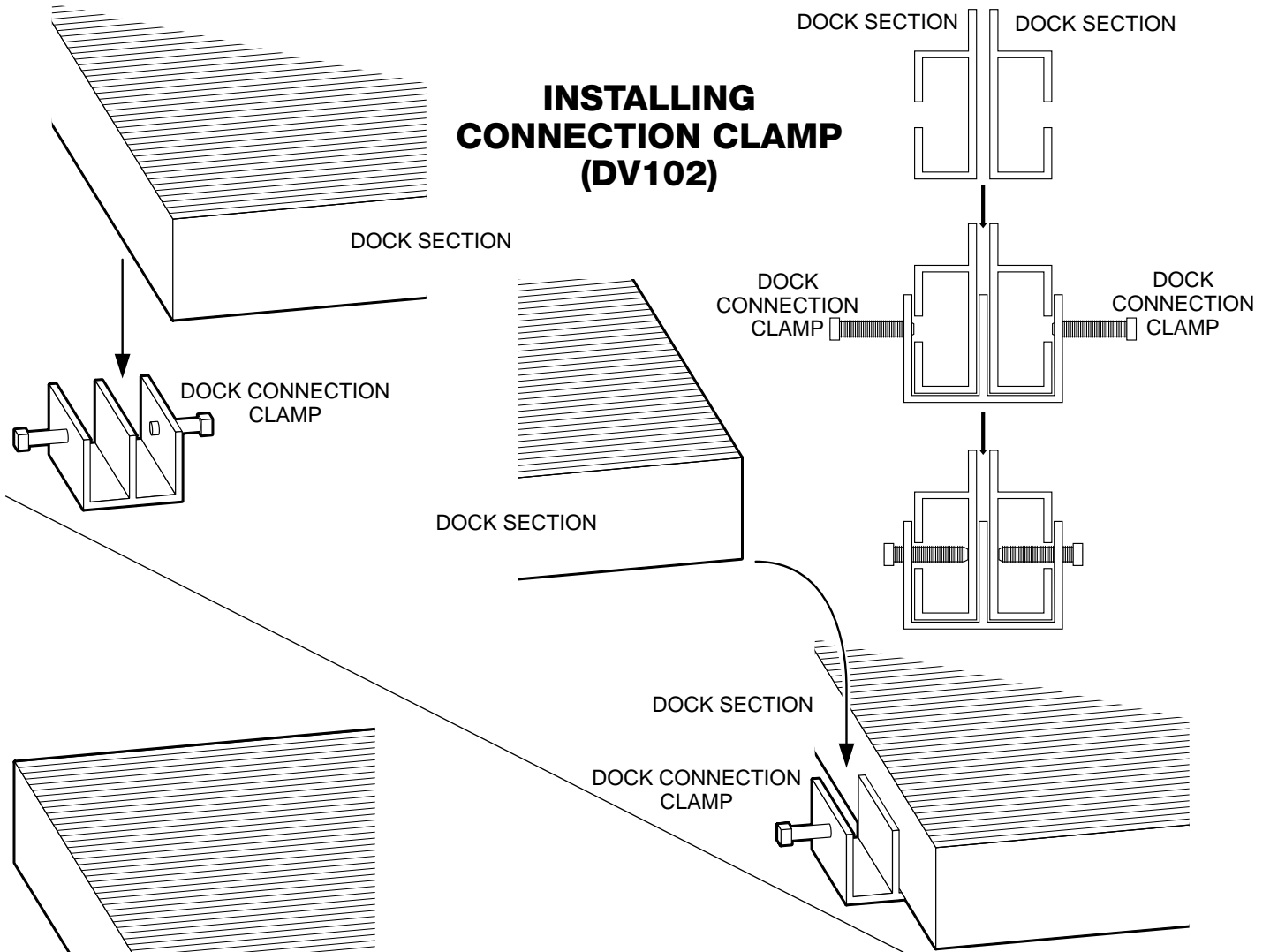
HEWITT



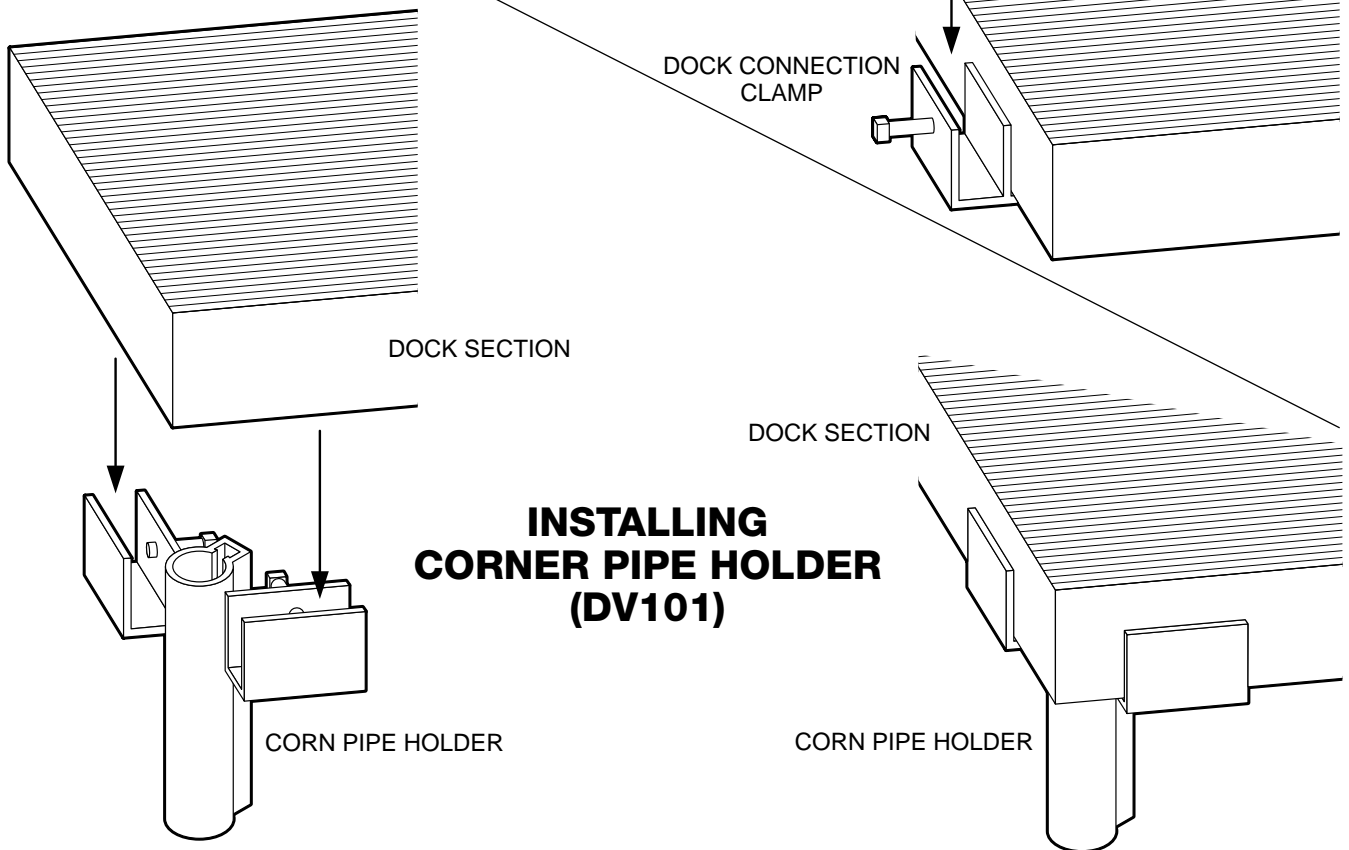
VERS-A-DOCK

INSTALLATION INSTRUCTIONS

**INSTALLING
CONNECTION CLAMP
(DV102)**



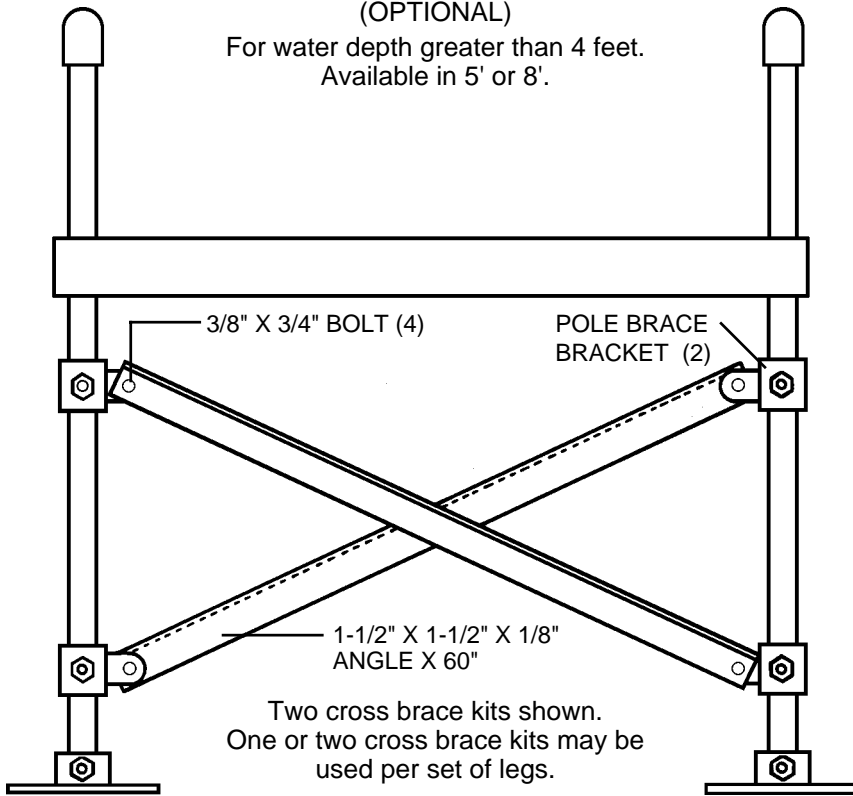
**INSTALLING
CORNER PIPE HOLDER
(DV101)**



STANDARD POLE CROSS BRACE KIT

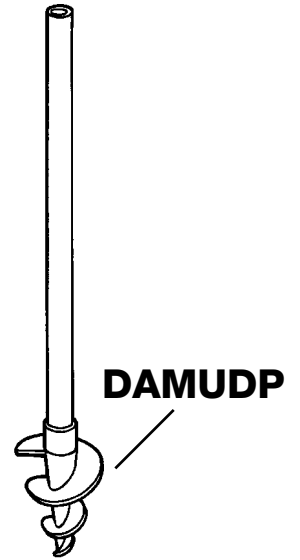
(OPTIONAL)

For water depth greater than 4 feet.
Available in 5' or 8'.



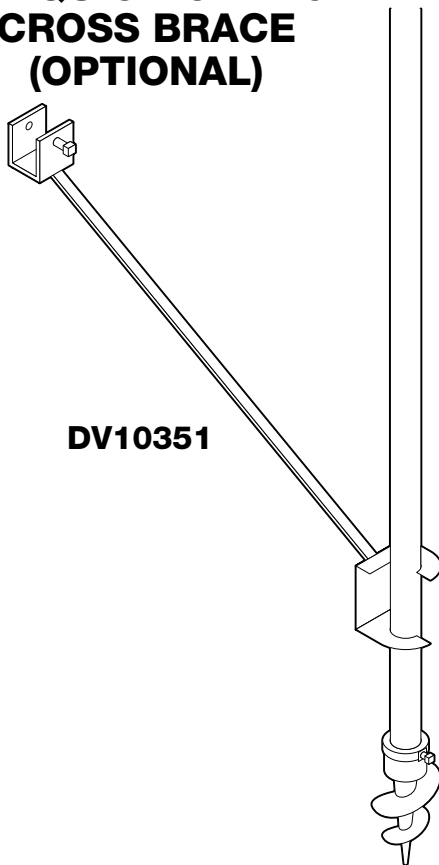
DS1095 - 5' CROSS BRACE KIT
DS108 - 8' CROSS BRACE KIT

ALTERNATIVE POST ANCHORING (OPTIONAL)



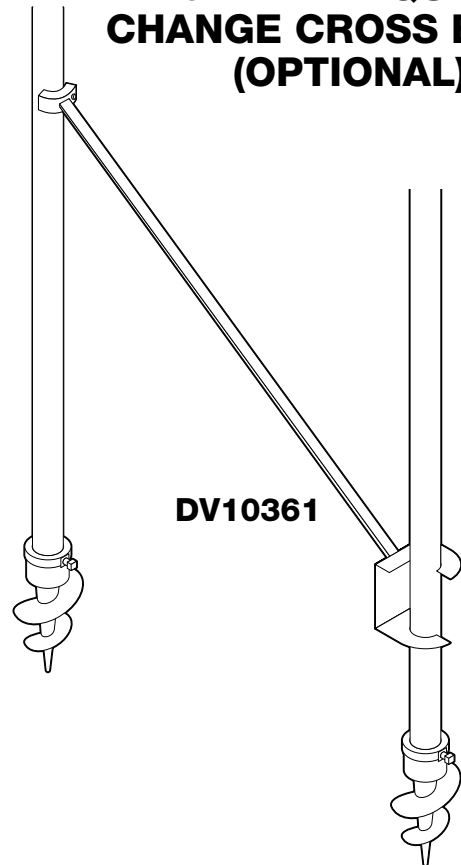
POINT AUGER
for normal bottom

5 FT QUICK CHANGE CROSS BRACE (OPTIONAL)



DV10351

6 FT PIPE QUICK CHANGE CROSS BRACE (OPTIONAL)



DV10361