

NOTE:  
WIRING DIAGRAM  
DRAWING #339-8102

In the U.S.A., replacement parts may be ordered directly from CANNON Parts Dept., 121 Power Drive, Mankato, Minnesota 56001. In Canada, parts may be ordered from any of the Canadian Authorized Service Centers shown on the enclosed list. Be sure to provide the MODEL and SERIAL numbers of your downrigger when ordering parts. Please use the correct part numbers from the parts list. Payment for any parts ordered from the CANNON parts department, may be by cash, personal check, Discover Card, MasterCard or VISA. To order, call 1-800-227-6433 or FAX 1-800-527-4464.

1	3392500	FRAME - LARGE BLACK (LEXAN)	37	9010003	BEARING - DRIVE SHAFT NYLINER	73	3992300	SWIVEL HEAD ASSEMBLY
2	4427005	NOSE DECAL MAGNUM	38	9400005	SPRING - SHAFT CONTACT	74	0267001	▶SIDE PLATE (RH)
3	9040040	HOOK - 1/4" - 20 ROLLED	39	4421002	COVER - GEAR CASE	75	0267002	▶SIDE PLATE (LH)
4	2263102	NUT - HEX 1/4"-20	40	2372100	SCREW - #8 x 5/8" PPHMS [5.EA]	76	0269726	▶PULLY - SWIVEL HEAD
5	9280750	SCREW - 1/4" - 20 (RH) x 3/4" PPH	41	9010310	WASHER - THRUST [2.EA]	77	3397300	▶WASHER - .735 OD X .36 ID
6	0849615	BASE LOCK KNOB	42	9010280	BEARING - THRUST	78	9010070	▶HDW BEARING BRASS[2.EA]
7	9040340	BOLT - 3/8"-16 X 1-1/2" HEX	43	2998906	KNOB BRAKE	79	2227820	BOOM END - TELESCOPIC (LEXAN)
8	9010001	BEARING - REEL SHAFT NYLINER [2.EA]	44	0649001	▶KNOB - HAND ADJUST	80	2200148	SNAP & INSULATOR [2.EA]
9	9430210	WASHER - 1-1/16" OD X 7/8" ID (NYLON)	45	9130390	▶NUT - KNURLED INSERT 3/8"-24	81	1007334	MOUNTING BASE (LEXAN)
10	3320011	DEPTH COUNTER - 3 DIGIT (METRIC)	46	1479070	O-RING - REEL SHAFT	82	2994893	*BAG ASSEMBLY, MOUNTING (KIT #3)
11	3333010	COUNTER GEAR (METRIC)	47	9370205	SCREW - 1/4" x 3/4" HEX WASH HD [3.EA]	83	2263102	NUT - HEX 1/4"-20 [4.EA]
12	0854654	COUNTER CUSHION/STOPPER [2.EA]	48	3993200	POWER CABLE ASSEMBLY	84	2371712	WASHER - 9/32" FLAT [4.EA]
13	3374010	REEL ASSY - HS ELECTRIC (METRIC)	49	3393200	>POWER CABLE - BATTERY	85	9100100	TERMINATOR
14	0274731	▶REEL - MACHINED 3.75"	50	3393201	>CAP - POWER CABLE - BATTERY	86	9100101	TERMINATOR CUSHION
15	3333011	>GEAR REEL (METRIC)	51	3393202	>POWER CABLE - MOTOR	87	9100620	TERMINATOR SNAP & SWIVEL
16	1480071	SHAFT - REEL	52	3393210	>CAP - POWER CABLE - MOTOR	88	9280725	BOLT - TRUSS 1/4" - 20 x 2-1/2" [8.EA]
17	9340131	SCREW - SET 5/16"-18 x 1-3/4" (REEL)	53	1458001	MOTOR 12V DC	89	9370010	SCREW - #4 x 1/2" PPH [3.EA]
18	3775394	SPOOL CABLE SS [250.FT]	54	1497070	GEAR - WORM MOTOR	90	9950357	WASHER - LOCK 1/4" SPLIT [4.EA]
19	9100070	CABLE LEADER SLEEVE [2.EA]	55	9250001	PIN - MOTOR, 3/32" X 3/4" ROLL SS	91	2210821	TELESCOPIC BOOM
20	3396552	MOTOR HOUSING - MAG 10 (LEXAN)	56	700032	TERMINAL - MOTOR, FEM 12-10 [2.EA]	92	2219822	>BASE TUBE CLAMP
21	1497071	LENSE - WINDOW DISPLAY	57	9010002	BEARING - MOTOR SHAFT	93	2219823	>MID TUBE CLAMP
22	3395607	DECAL - LARGE, MAG 10	58	2263112	NUT - HEX #10-32 BZ	94	2222825	>MID TUBE COLLET
23	3395702	DECAL - POSITIVE ION CONTROL	59	1421070	COVER - MOTOR HOUSING (LEXAN)	95	2222826	>BASE TUBE COLLET
24	2286792	SWITCH - UP/DN CONTROL	60	3393400	SCREW - #8-18 x 1-1/4" PPHSMS SS [6.EA]	96	2290828	▶BOOM BASE TUBE (BLACK)
25	2286793	WASHER - SHIM .750 x .1 UP/DN SWITCH	61	701007	O-RING - SMALL	97	2290829	▶BOOM MID TUBE (BLACK)
26	050176	CABLE ASSY - MAG (SHORT STOP)	62	2332103	SCREW-#6-20 X 3/8"	98	2290830	▶BOOM END TUBE (BLACK)
27	050175	CONTROL BOARD - MAG 10	63	3395630	DECAL - CANNON LARGE [2.EA]	99	2998905	SWIVEL BASE
28	1296831	WIRE - CIRCUIT BREAKER JUMPER (RED)	64	2477001	BAG ASSY - SINGLE ROD HOLDER	100	2249001	>KNOB - RELEASE PIN (LEXAN)
29	3398205	CIRCUIT BREAKER - 30 AMP	65	0290796	>TUBE - ROD HOLDER	101	2267001	>BASE PLATE (LEXAN)
30	1221490	UP/DN SWITCH BOOT	66	2151726	>WASHER - 5/16" FLAT	102	2267002	>SWIVEL PLATE (LEXAN)
31	1221491	CIRCUIT BREAKER BOOT	67	2383106	>NUT - 5/16"-18 SS	103	2267006	>INDEXING PLATE (TAPPED)
32	1480070	SHAFT - DRIVE	68	3319005	>CLAMP - ROD HOLDER w/ SLOT	104	2277001	>NUT - RETAINER RELEASE
33	9250002	PIN - DRIVE SHAFT 3/16" ROLL SS	69	3325002	>DISK - ROD HOLDER	105	2287002	>SPRING - RELEASE PIN
34	0467695	BRAKE PLATE - REEL	70	9040310	>BOLT - HEX 5/16"-18 x 2"	106	2372100	>SCREW - #8 x 5/8" PPHMS [2.EA]
35	1264670	CLUTCH PAD	71	9430160	>WASHER - STAR 5/16"	107	3392600	>RELEASE PIN
36	1433074	GEAR - DRIVER WORM	72	2277002	>UNIVERSAL LINE RELEASE	108	9010004	>BEARING - SWIVEL BASE [2.EA]

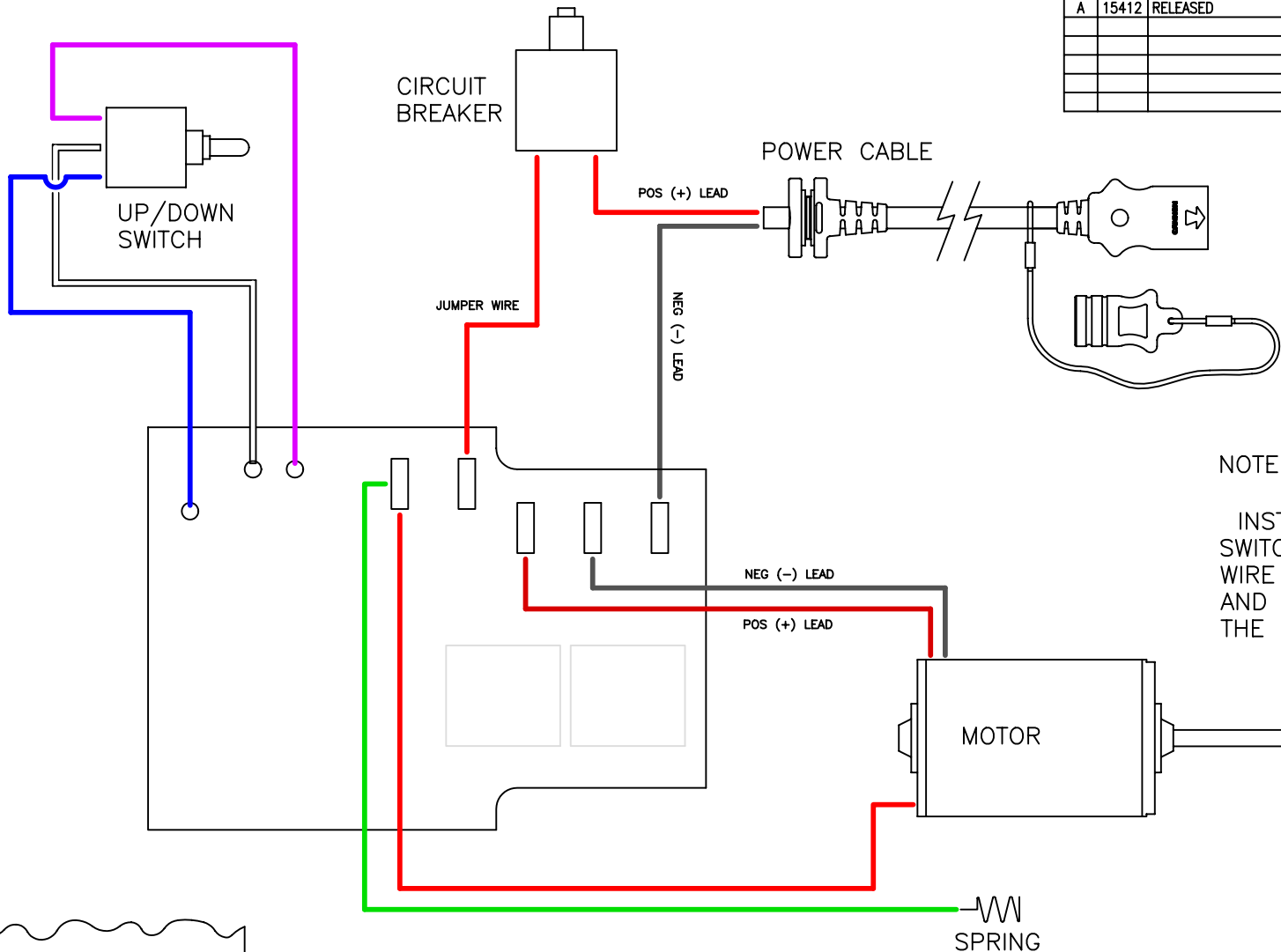
> PART OF ASSEMBLY

▶ITEM CANNOT BE SOLD SEPARATELY

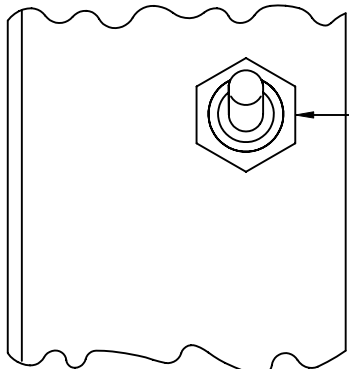
\* PARTS USED BUT NOT SHOWN

PART NO: 339-8102

REVISIONS					
REV.	ECN NO.	DESCRIPTION	BY	DATE	APP'D BY
A	15412	RELEASED	JLL	10/18/06	DJ



NOTE:  
 INSTALL THE UP/DOWN SWITCH WITH THE PURPLE WIRE IN THE UP POSITION AND THE BLUE WIRE IN THE DOWN POSITION



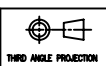
UP/DOWN SWITCH

**MINN KOTA**  
 OPERATIONS  
 MANKATO, MN

A DIVISION OF **JOHNSON OUTDOORS**  
THE SPIRIT OF ADVENTURE

**TOLERANCES:**  
 UNLESS OTHERWISE SPECIFIED  
 .XXX ±.0010  
 .XX ±.005  
 .X ±.010  
 .X ±.015  
 FRACTIONAL ± 1/64  
 ANGULAR DIMENSIONS ± 0°30'

**CONFIDENTIAL PROPERTY—**  
 This document is the confidential property of Johnson Outdoors and is loaned subject to return upon demand; title to same is never sold/transferred for any reason. This document is to be used only pursuant to written instructions of Johnson Outdoors. All rights to designs and inventions are reserved by Johnson Outdoors. Possession of this document is accepted subject to the foregoing.



**DRAWN BY:** JLL  
**DATE:** 10/18/06  
**APP'VD BY:** DJ  
**DATE:** 10/18/06  
**CHECKED BY:**   
**DATE:**

<b>FINISH:</b> NONE	<b>PART NAME:</b> MAG 10 & 5 WIRING DIAGRAM	<b>A</b> SIZE
<b>MATERIAL:</b> NONE	<b>RELEASED ECN#</b> 15412	<b>REV.:</b> A
	<b>PART NO.:</b> 339-8102	
	<b>SCALE:</b> NONE	<b>U/M:</b> IN.

D  
C  
B  
A

4 3 2 1

4 3 2 1