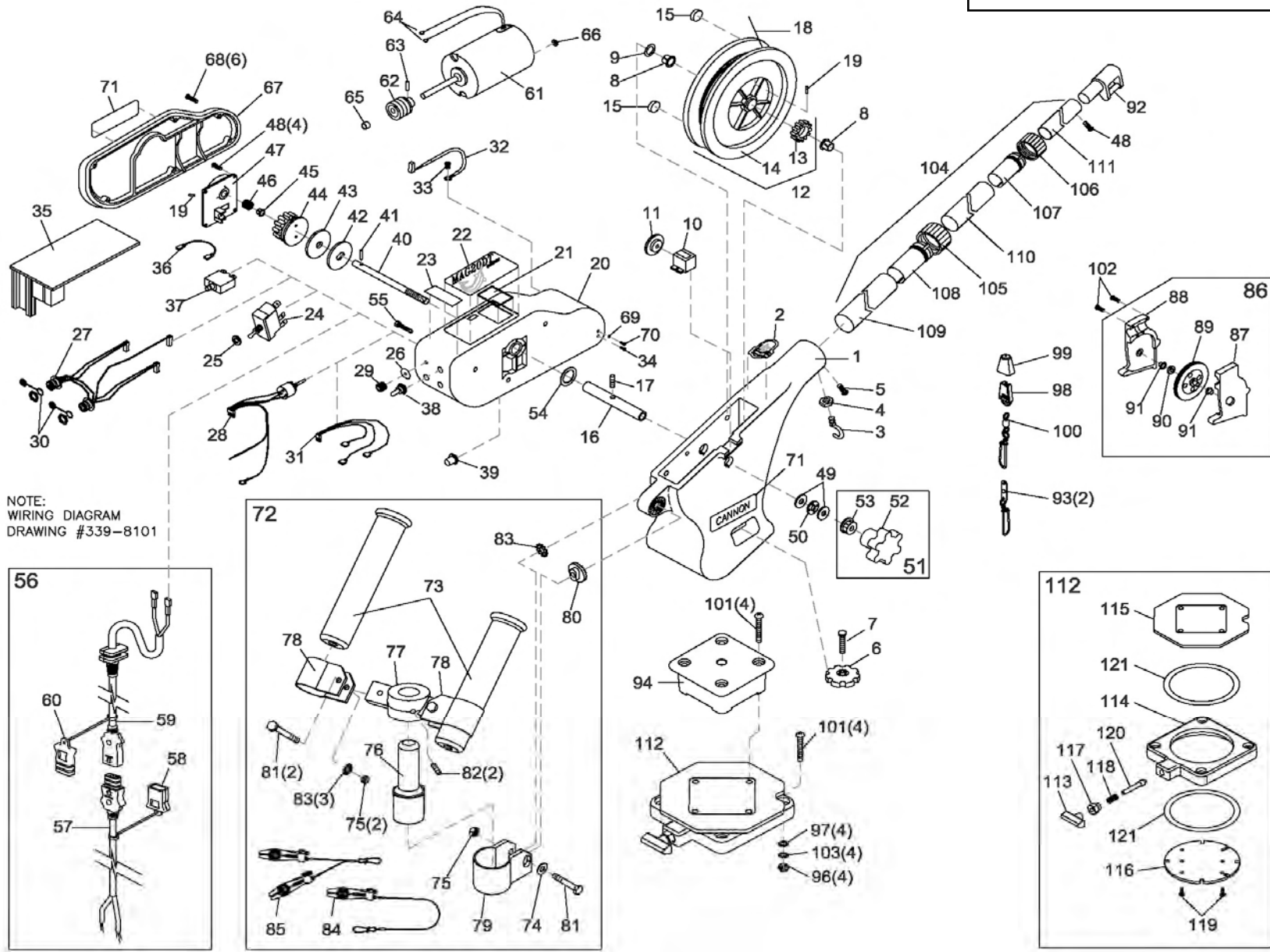


for use with "AI" serial numbers



NOTE:
WIRING DIAGRAM
DRAWING #339-8101

In the U.S.A., replacement parts may be ordered directly from CANNON Parts Dept., 121 Power Drive, Mankato, Minnesota 56001. In Canada, parts may be ordered from any of the Canadian Authorized Service Centers shown on the enclosed list. Be sure to provide the MODEL and SERIAL numbers of your downrigger when ordering parts. Please use the correct part numbers from the parts list. Payment for any parts ordered from the CANNON parts department, may be by cash, personal check, Discover Card, MasterCard or VISA. To order, call 1-800-227-6433 or FAX 1-800-527-4464.

1	3392500	FRAME - LARGE BLACK (LEXAN)	42	0467695	BRAKE PLATE - REEL	83	9430160	>WASHER - STAR 5/16" [3.EA]
2	4427005	NOSE DECAL MAGNUM	43	1264670	CLUTCH PAD	84	2277002	>UNIVERSAL LINE RELEASE
3	9040040	HOOK - 1/4" - 20 ROLLED	44	1433074	GEAR - DRIVER WORM	85	3998600	>UNI-STACKER RELEASE
4	2263102	NUT - HEX 1/4"-20	45	9010003	BEARING - DRIVE SHAFT NYLINER	86	3992300	SWIVEL HEAD ASSEMBLY
5	9280750	SCREW - 1/4" - 20 (RH) x 3/4" PPH	46	9400005	SPRING - SHAFT CONTACT	87	0267001	▶SIDE PLATE (RH)
6	0849615	BASE LOCK KNOB	47	4421002	COVER - GEAR CASE	88	0267002	▶SIDE PLATE (LH)
7	9040340	BOLT - 3/8"-16 X 1-1/2" HEX	48	2372100	SCREW - #8 x 5/8" PPHMS [5.EA]	89	0269726	▶PULLY - SWIVEL HEAD
8	9010001	BEARING - REEL SHAFT NYLINER [2.EA]	49	9010310	WASHER - THRUST [2.EA]	90	3397300	▶WASHER - .735 OD X .36 ID
9	9430210	WASHER - 1-1/16" OD X 7/8" ID (NYLON)	50	9010280	BEARING - THRUST	91	9010070	▶HDW BEARING BRASS[2.EA]
10	0220477	DEPTH COUNTER - 3 DIGIT	51	2998906	KNOB BRAKE	92	2227820	BOOM END - TELESCOPIC (LEXAN)
11	0833561	GEAR - COUNTER	52	0649001	▶KNOB - HAND ADJUST	93	2200148	SNAP & INSULATOR [2.EA]
12	0274000	REEL ASSEMBLY - HS ELECTRIC	53	9130390	▶NUT - KNURLED INSERT 3/8"-24	94	1007334	MOUNTING BASE (LEXAN)
13	0233560	>GEAR REEL	54	1479070	O-RING - REEL SHAFT	95	2994893	*BAG ASSEMBLY, MOUNTING (KIT #3)
14	0274731	▶REEL - MACHINED 3.75"	55	9370205	SCREW - 1/4" x 3/4" HEX WASH HD [3.EA]	96	2263102	NUT - HEX 1/4"-20 [4.EA]
15	1459666	REEL MAGNET [2.EA]	56	3993200	POWER CABLE ASSEMBLY	97	2371712	WASHER - 9/32" FLAT [4.EA]
16	1480071	SHAFT - REEL	57	3393200	>POWER CABLE - BATTERY	98	9100100	TERMINATOR
17	9340131	SCREW - SET 5/16"-18 x 1-3/4" (REEL)	58	3393201	>CAP - POWER CABLE - BATTERY	99	9100101	TERMINATOR CUSHION
18	3775397	SPOOL CABLE SS [400.FT]	59	3393202	>POWER CABLE - MOTOR	100	9100620	TERMINATOR SNAP & SWIVEL
19	9100070	CABLE LEADER SLEEVE [2.EA]	60	3393210	>CAP - POWER CABLE -MOTOR	101	9280725	BOLT - TRUSS 1/4" - 20 x 2-1/2" [8.EA]
20	3396530	MOTOR HOUSING - MAG 20 (LEXAN)	61	1458001	MOTOR 12V DC	102	9370010	SCREW - #4 x 1/2" PPH [3.EA]
21	1497071	LENSE - WINDOW DISPLAY	62	1497070	GEAR - WORM MOTOR	103	9950357	WASHER - LOCK 1/4" SPLIT [4.EA]
22	3395620	DECAL - LARGE, MAG 20 DT/HS	63	9250001	PIN - MOTOR, 3/32" X 3/4" ROLL SS	104	2210821	TELESCOPIC BOOM
23	3395702	DECAL - POSITIVE ION CONTROL	64	700032	TERMINAL - MOTOR, FEM 12-10 [2.EA]	105	2219822	>BASE TUBE CLAMP
24	2286792	SWITCH - UP/DN CONTROL	65	9010002	BEARING - MOTOR SHAFT	106	2219823	>MID TUBE CLAMP
25	2286793	WASHER - SHIM .750 x .1 UP/DN SWITCH	66	2263112	NUT - HEX #10-32 BZ	107	2222825	>MID TUBE COLLET
26	3395703	DECAL - PIC KNOB DIAL	67	1421072	COVER - MOTOR HOUSING (LEXAN)	108	2222826	>BASE TUBE COLLET
27	050268	CABLE ASSY - MAG20DT (DATA IN/OUT)	68	3393400	SCREW - #8-18 x 1-1/4" PPHMS SS [6.EA]	109	2290828	▶BOOM BASE TUBE (BLACK)
28	050215	POSITIVE ION CONTROL POT	69	701007	O-RING - SMALL	110	2290829	▶BOOM MID TUBE (BLACK)
29	611005	KNOB - POSITIVE ION CONTROL	70	2332103	SCREW-#6-20 X 3/8"	111	2290830	▶BOOM END TUBE (BLACK)
30	700176	CAP - CONNECTION PORT [2.EA]	71	3395630	DECAL - CANNON LARGE [2.EA]	112	2998905	SWIVEL BASE
31	609209	CABLE ASSY - MAG20DT UP/DN SWITCH	72	3991902	BAG ASSY - DUAL REAR ROD HOLDER	113	2249001	>KNOB - RELEASE PIN (LEXAN)
32	609253	CABLE ASSY - ANTENNA IN (SENSOR)	73	0290796	>TUBE - ROD HOLDER [2.EA]	114	2267001	>BASE PLATE (LEXAN)
33	1234002	INSERT - 1/4" PRESS THD #6-32	74	2151726	>WASHER - 5/16" FLAT	115	2267002	>SWIVEL PLATE (LEXAN)
34	603103	SCREW - MACH #6-32 x 3/8" SS	75	2383106	>NUT - 5/16"-18 SS [3.EA]	116	2267006	>INDEXING PLATE (TAPPED)
35	050265	CONTROL BOARD - MAG 20 DT	76	2411386	>POST - REAR MOUNT (LEXAN)	117	2277001	>NUT - RETAINER RELEASE
36	1296831	WIRE - CIRCUIT BREAKER JUMPER (RED)	77	2411390	>BRACKET - DUAL ROD (LEXAN)	118	2287002	>SPRING - RELEASE PIN
37	3398205	CIRCUIT BREAKER - 30 AMP	78	2419470	>CLAMP - ROD HOLDER [2.EA]	119	2372100	>SCREW - #8 x 5/8" PPHMS [2.EA]
38	1221490	UP/DN SWITCH BOOT	79	3319005	>CLAMP - ROD HOLDER w/ SLOT	120	3392600	>RELEASE PIN
39	1221491	CIRCUIT BREAKER BOOT	80	3325002	>DISK - ROD HOLDER	121	9010004	>BEARING - SWIVEL BASE [2.EA]
40	1480070	SHAFT - DRIVE	81	9040310	>BOLT - HEX 5/16"-18 x 2" [3.EA]			
41	9250002	PIN - DRIVE SHAFT 3/16" ROLL SS	82	9340101	>SCREW - SET 3/8"-16 x 5/8" [2.EA]			

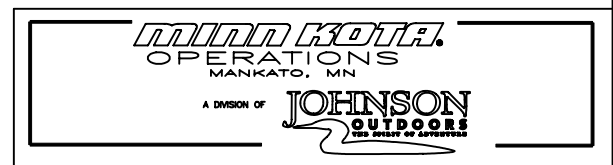
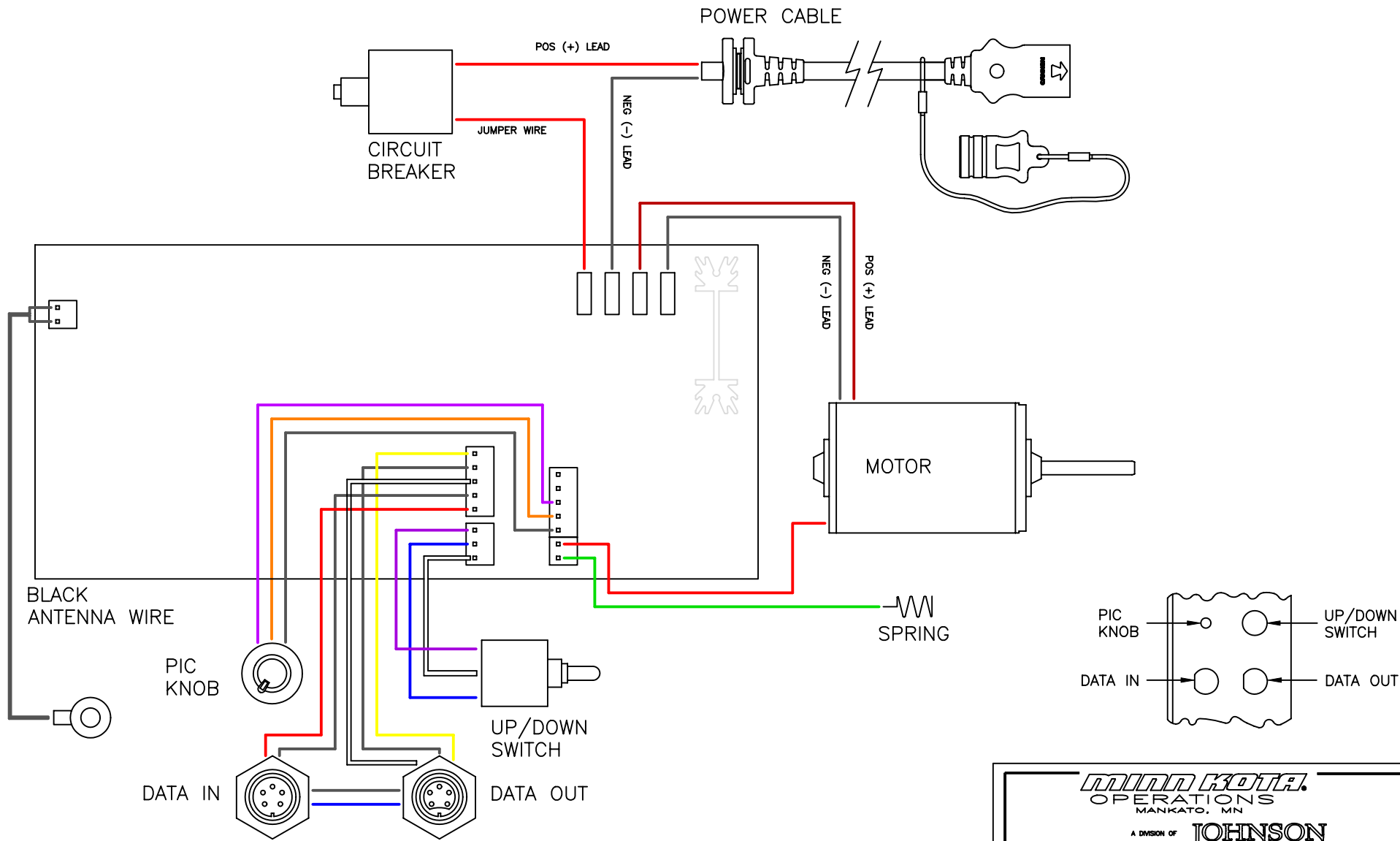
> PART OF ASSEMBLY

▶ ITEM CANNOT BE SOLD SEPARATELY

* PARTS USED BUT NOT SHOWN

PART NO: 339-8101

REVISIONS					
REV.	ECN NO.	DESCRIPTION	BY	DATE	APP'D BY
A	15412	RELEASED	JLL	10/18/06	DJ
B	30583	REVISED IDC WIRE PLACEMENT	JLL	11/05/07	DJ



TOLERANCES:
 UNLESS OTHERWISE SPECIFIED
 .XXX ±.0010
 .XX ±.005
 .X ±.010
 .X ±.015
 FRACTIONAL ± 1/64
 ANGULAR DIMENSIONS ± 0°30'

CONFIDENTIAL PROPERTY—
 This document is the confidential property of Johnson Outdoors and is loaned subject to return upon demand; title to same is never sold/transferred for any reason. This document is to be used only pursuant to written instructions of Johnson Outdoors. All rights to designs and inventions are reserved by Johnson Outdoors. Possession of this document is accepted subject to the foregoing.

THIRD ANGLE PROJECTION

DRAWN BY: JLL
 DATE: 10/18/06
 APP'VD BY: DJ
 DATE: 10/18/06
 CHECKED BY: []
 DATE: []

FINISH: NONE	PART NAME: MAG 20 DT WIRING DIAGRAM	A SIZE
MATERIAL: NONE	RELEASED ECN# 15412	REV: B
	PART NO.: 339-8101	
	SCALE: NONE	U/M: IN.