

NOTE:
WIRING DIAGRAM
DRAWING #3398101

In the U.S.A., replacement parts may be ordered directly from CANNON Parts Dept., 121 Power Drive, Mankato, Minnesota 56001. In Canada, parts may be ordered from any of the Canadian Authorized Service Centers shown on the enclosed list. Be sure to provide the MODEL and SERIAL numbers of your downrigger when ordering parts. Please use the correct part numbers from the parts list. Payment for any parts ordered from the CANNON parts department, may be by cash, personal check, Discover Card, MasterCard or VISA. To order, call 1-800-227-6433 or FAX 1-800-527-4464.

1	3392505	FRAME - LARGE WHITE (LEXAN)	41	1480070	SHAFT - DRIVE	81	2200109	>OFFSHORE SALTWATER RELEASE
2	4427005	NOSE DECAL MAGNUM	42	9250002	PIN - DRIVE SHAFT 3/16" ROLL SS	82	3992300	SWIVEL HEAD ASSEMBLY
3	9040040	HOOK - 1/4" - 20 ROLLED	43	0467695	BRAKE PLATE - REEL	83	0267001	▶SIDE PLATE (RH)
4	2263102	NUT - HEX 1/4"-20	44	3391710	CLUTCH PAD	84	0267002	▶SIDE PLATE (LH)
5	9280750	SCREW - 1/4" - 20 (RH) x 3/4" PPH	45	1433074	GEAR - DRIVER WORM	85	0269726	▶PULLY - SWIVEL HEAD
6	0849615	BASE LOCK KNOB	46	9010003	BEARING - DRIVE SHAFT NYLINER	86	3397300	▶WASHER - .735 OD X .36 ID
7	9040340	BOLT - 3/8"-16 X 1-1/2" HEX	47	9400005	SPRING - SHAFT CONTACT	87	9010070	▶HDW BEARING BRASS[2.EA]
8	9010001	BEARING - REEL SHAFT NYLINER [2.EA]	48	4421002	COVER - GEAR CASE	88	2227820	BOOM END - TELESCOPIC (LEXAN)
9	9430210	WASHER - 1-1/16" OD X 7/8" ID (NYLON)	49	2372100	SCREW - #8 x 5/8" PPHMS [5.EA]	89	2200148	SNAP & INSULATOR [2.EA]
10	3320011	DEPTH COUNTER - 3 DIGIT (METRIC)	50	9010310	WASHER - THRUST [2.EA]	90	1007334	MOUNTING BASE (LEXAN)
11	3333010	COUNTER GEAR (METRIC)	51	9010280	BEARING - THRUST	91	2994893	*BAG ASSEMBLY, MOUNTING (KIT #3)
12	0854654	COUNTER CUSHION/STOPPER [2.EA]	52	2998906	KNOB BRAKE	92	2263102	NUT - HEX 1/4"-20 [4.EA]
13	3397916	REEL ASSEMBLY - TS ELECTRIC (METRIC)	53	0649001	▶KNOB - HAND ADJUST	93	2371712	WASHER - 9/32" FLAT [4.EA]
14	3333011	>GEAR REEL (METRIC)	54	9130390	▶NUT - KNURLED INSERT 3/8"-24	94	9100100	TERMINATOR
15	3397902	▶REEL - 3.75" SS	55	1479070	O-RING - REEL SHAFT	95	9100101	TERMINATOR CUSHION
16	1459666	REEL MAGNET [2.EA]	56	9370205	SCREW - 1/4" x 3/4" HEX WASH HD [3.EA]	96	9100620	TERMINATOR SNAP & SWIVEL
17	1480071	SHAFT - REEL	57	3993200	POWER CABLE ASSEMBLY	97	9280725	BOLT - TRUSS 1/4" - 20 x 2-1/2" [8.EA]
18	3393412	SCREW - SET 5/16"-18 x 1" (REEL)	58	3393200	>POWER CABLE - BATTERY	98	9370010	SCREW - #4 x 1/2" PPH [3.EA]
19	3775397	SPOOL CABLE SS [400.FT]	59	3393201	>CAP - POWER CABLE - BATTERY	99	9950357	WASHER - LOCK 1/4" SPLIT [4.EA]
20	9100070	CABLE LEADER SLEEVE [2.EA]	60	3393202	>POWER CABLE - MOTOR	100	3392010	TELESCOPIC BOOM SS
21	3396534	MOTOR HOUSING - MAG 20 TS (LEXAN)	61	3393210	>CAP - POWER CABLE -MOTOR	101	2219822	>BASE TUBE CLAMP
22	1497074	LENSE - WINDOW DISPLAY	62	3391000	MOTOR 12V DC	102	2219823	>MID TUBE CLAMP
23	3395601	DECAL - LARGE, MAG 20 DT/TS	63	1497070	GEAR - WORM MOTOR	103	2222825	>MID TUBE COLLET
24	3395700	DECAL - POSITIVE ION CONTROL TS	64	9250001	PIN - MOTOR, 3/32" X 3/4" ROLL SS	104	2222826	>BASE TUBE COLLET
25	2286792	SWITCH - UP/DN CONTROL	65	700032	TERMINAL - MOTOR, FEM 12-10 [2.EA]	105	3392001	▶BOOM BASE TUBE (SS)
26	2286793	WASHER - SHIM .750 x .1 UP/DN SWITCH	66	9010002	BEARING - MOTOR SHAFT	106	3392002	▶BOOM MID TUBE (SS)
27	3395701	DECAL - PIC KNOB DIAL TS	67	2263112	NUT - HEX #10-32 BZ	107	3392003	▶BOOM END TUBE (SS)
28	050268	CABLE ASSY - MAG20DT (DATA IN/OUT)	68	3390201	COVER - MOTOR HOUSING TS (LEXAN)	108	2998905	SWIVEL BASE
29	050215	POSITIVE ION CONTROL POT	69	3393400	SCREW - #8-18 x 1-1/4" PPHSMS SS [6.EA]	109	2249001	>KNOB - RELEASE PIN (LEXAN)
30	611005	KNOB - POSITIVE ION CONTROL	70	701-007	O-RING - SMALL	110	2267001	>BASE PLATE (LEXAN)
31	700176	CAP - CONNECTION PORT [2.EA]	71	2332103	SCREW-#6-20 X 3/8"	111	2267002	>SWIVEL PLATE (LEXAN)
32	609209	CABLE ASSY - MAG20DT UP/DN SWITCH	72	3395632	DECAL - CANNON LARGE TS [2.EA]	112	2267006	>INDEXING PLATE (TAPPED)
33	609253	CABLE ASSY - ANTENNA IN (SENSOR)	73	3991903	BAG ASSY - REAR ROD HOLDER TS	113	2277001	>NUT - RETAINER RELEASE
34	1234002	INSERT - 1/4" PRESS THD #6-32	74	0290796	>TUBE - ROD HOLDER	114	2287002	>SPRING - RELEASE PIN
35	603103	SCREW - MACH #6-32 x 3/8" SS	75	2151726	>WASHER - 5/16" FLAT	115	2372100	>SCREW - #8 x 5/8" PPHMS [2.EA]
36	3394004	CONTROL BOARD - MAG 20 DT	76	2383106	>NUT - 5/16"-18 SS	116	3392600	>RELEASE PIN
37	1296831	WIRE - CIRCUIT BREAKER JUMPER (RED)	77	3319005	>CLAMP - ROD HOLDER w/ SLOT	117	9010004	>BEARING - SWIVEL BASE [2.EA]
38	3398205	CIRCUIT BREAKER - 30 AMP	78	3325002	>DISK - ROD HOLDER	118	2200107	OFFSHORE STACKER
39	1221490	UP/DN SWITCH BOOT	79	9040310	>BOLT - HEX 5/16"-18 x 2"			
40	1221491	CIRCUIT BREAKER BOOT	80	9430160	>WASHER - STAR 5/16"			

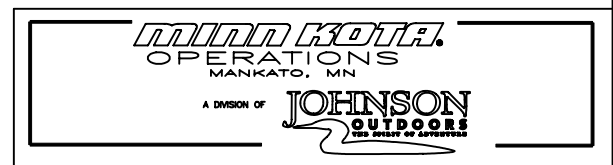
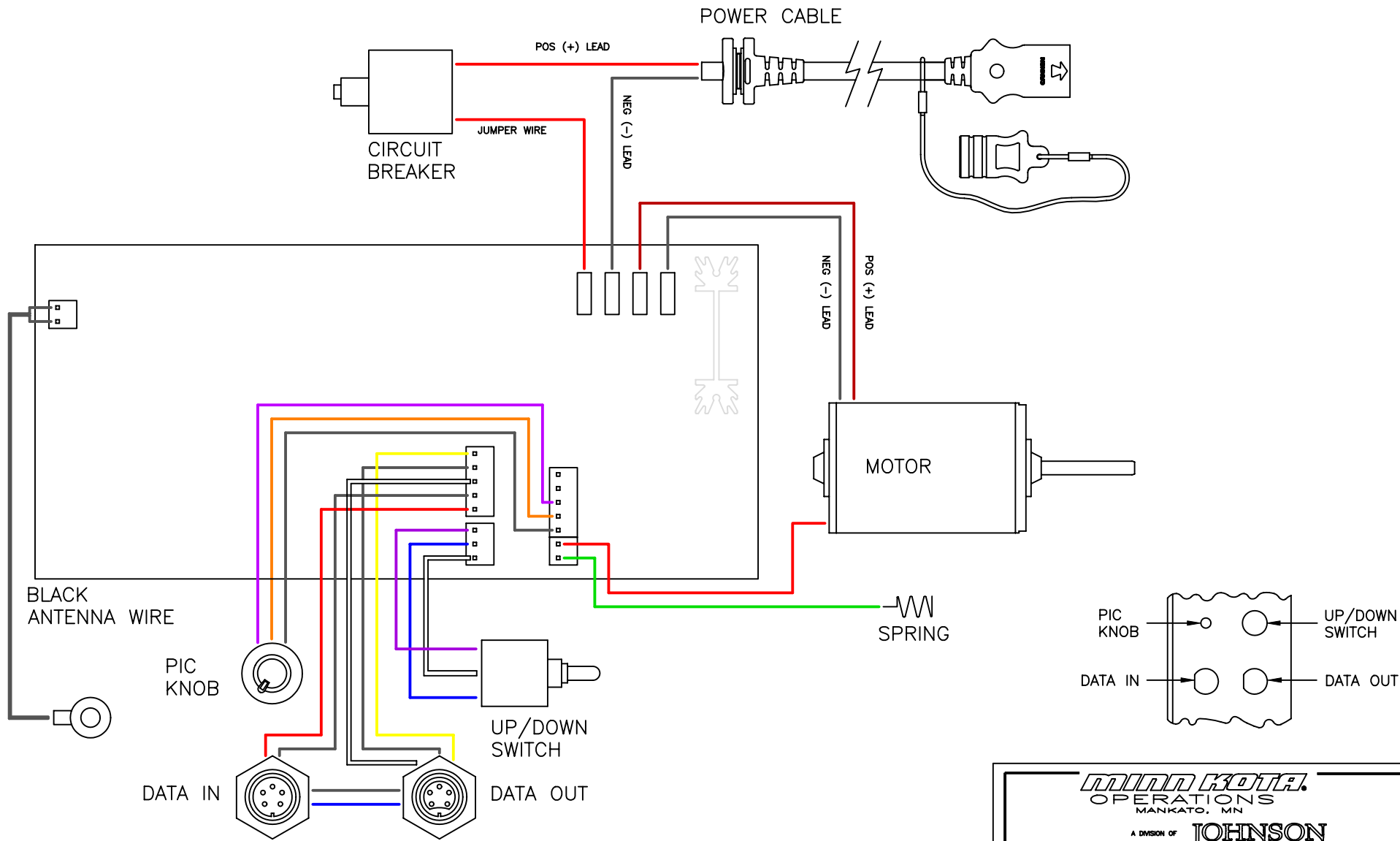
> PART OF ASSEMBLY

▶ ITEM CANNOT BE SOLD SEPARATELY

* PARTS USED BUT NOT SHOWN

PART NO: 339-8101

REVISIONS					
REV.	ECN NO.	DESCRIPTION	BY	DATE	APP'D BY
A	15412	RELEASED	JLL	10/18/06	DJ
B	30583	REVISED IDC WIRE PLACEMENT	JLL	11/05/07	DJ



TOLERANCES: UNLESS OTHERWISE SPECIFIED
 .XXX ±.0010
 .XX ±.005
 .X ±.010
 .X ±.015
 FRACTIONAL ± 1/64
 ANGULAR DIMENSIONS ± 0°30'

CONFIDENTIAL PROPERTY—
 This document is the confidential property of Johnson Outdoors and is loaned subject to return upon demand; title to same is never sold/transferred for any reason. This document is to be used only pursuant to written instructions of Johnson Outdoors. All rights to designs and inventions are reserved by Johnson Outdoors. Possession of this document is accepted subject to the foregoing.

THIRD ANGLE PROJECTION

DRAWN BY: JLL
 DATE: 10/18/06
 APP'VD BY: DJ
 DATE: 10/18/06
 CHECKED BY: []
 DATE: []

FINISH: NONE	PART NAME: MAG 20 DT WIRING DIAGRAM	A SIZE
MATERIAL: NONE	RELEASED ECN# 15412	REV: B
	PART NO.: 339-8101	
	SCALE: NONE	U/M: IN.