

NOTE:
WIRING DIAGRAM
DRAWING #3398102

In the U.S.A., replacement parts may be ordered directly from CANNON Parts Dept., 121 Power Drive, Mankato, Minnesota 56001. In Canada, parts may be ordered from any of the Canadian Authorized Service Centers shown on the enclosed list. Be sure to provide the MODEL and SERIAL numbers of your downrigger when ordering parts. Please use the correct part numbers from the parts list. Payment for any parts ordered from the CANNON parts department, may be by cash, personal check, Discover Card, MasterCard or VISA. To order, call 1-800-227-6433 or FAX 1-800-527-4464.

| | | | | | | | | |
|----|---------|---------------------------------------|----|---------|---|----|---------|------------------------------------|
| 1 | 3392500 | FRAME - LARGE BLACK (LEXAN) | 32 | 1480070 | SHAFT - DRIVE | 63 | 3395630 | DECAL - CANNON LARGE [2.EA] |
| 2 | 4427005 | NOSE DECAL MAGNUM | 33 | 9250002 | PIN - DRIVE SHAFT 3/16" ROLL SS | 64 | 2477001 | BAG ASSY - SINGLE ROD HOLDER |
| 3 | 9040040 | HOOK - 1/4" - 20 ROLLED | 34 | 0467695 | BRAKE PLATE - REEL | 65 | 0290796 | >TUBE - ROD HOLDER |
| 4 | 2263102 | NUT - HEX 1/4"-20 | 35 | 3391710 | CLUTCH PAD | 66 | 2151726 | >WASHER - 5/16" FLAT |
| 5 | 9280750 | SCREW - 1/4" - 20 (RH) x 3/4" PPH | 36 | 1433074 | GEAR - DRIVER WORM | 67 | 2383106 | >NUT - 5/16"-18 SS |
| 6 | 0849615 | BASE LOCK KNOB | 37 | 9010003 | BEARING - DRIVE SHAFT NYLINER | 68 | 3319005 | >CLAMP - ROD HOLDER w/ SLOT |
| 7 | 9040340 | BOLT - 3/8"-16 X 1-1/2" HEX | 38 | 9400005 | SPRING - SHAFT CONTACT | 69 | 3325002 | >DISK - ROD HOLDER |
| 8 | 9010001 | BEARING - REEL SHAFT NYLINER [2.EA] | 39 | 4421002 | COVER - GEAR CASE | 70 | 9040310 | >BOLT - HEX 5/16"-18 x 2" |
| 9 | 9430210 | WASHER - 1-1/16" OD X 7/8" ID (NYLON) | 40 | 2372100 | SCREW - #8 x 5/8" PPHMS [5.EA] | 71 | 9430160 | >WASHER - STAR 5/16" |
| 10 | 3320011 | DEPTH COUNTER - 3 DIGIT (METRIC) | 41 | 9010310 | WASHER - THRUST [2.EA] | 72 | 2277002 | >UNIVERSAL LINE RELEASE |
| 11 | 3333010 | COUNTER GEAR (METRIC) | 42 | 9010280 | BEARING - THRUST | 73 | 3992300 | SWIVEL HEAD ASSEMBLY |
| 12 | 0854654 | COUNTER CUSHION/STOPPER [2.EA] | 43 | 2998906 | KNOB BRAKE | 74 | 0267001 | ▶SIDE PLATE (RH) |
| 13 | 3374010 | REEL ASSY - HS ELECTRIC (METRIC) | 44 | 0649001 | ▶KNOB - HAND ADJUST | 75 | 0267002 | ▶SIDE PLATE (LH) |
| 14 | 0274731 | ▶REEL - MACHINED 3.75" | 45 | 9130390 | ▶NUT - KNURLED INSERT 3/8"-24 | 76 | 0269726 | ▶PULLY - SWIVEL HEAD |
| 15 | 3333011 | >GEAR REEL (METRIC) | 46 | 1479070 | O-RING - REEL SHAFT | 77 | 3397300 | ▶WASHER - .735 OD X .36 ID |
| 16 | 1480071 | SHAFT - REEL | 47 | 9370205 | SCREW - 1/4" x 3/4" HEX WASH HD [3.EA] | 78 | 9010070 | ▶HDW BEARING BRASS[2.EA] |
| 17 | 9340131 | SCREW - SET 5/16"-18 x 1-3/4" (REEL) | 48 | 3993200 | POWER CABLE ASSEMBLY | 79 | 2216403 | BOOM END (LEXAN) |
| 18 | 3775394 | SPOOL CABLE SS [250.FT] | 49 | 3393200 | >POWER CABLE - BATTERY | 80 | 2200148 | SNAP & INSULATOR [2.EA] |
| 19 | 9100070 | CABLE LEADER SLEEVE [2.EA] | 50 | 3393201 | >CAP - POWER CABLE - BATTERY | 81 | 1007334 | MOUNTING BASE (LEXAN) |
| 20 | 3396552 | MOTOR HOUSING - MAG 5 (LEXAN) | 51 | 3393202 | >POWER CABLE - MOTOR | 82 | 2994892 | *BAG ASSEMBLY, MOUNTING (KIT #2) |
| 21 | 1497074 | LENSE - WINDOW DISPLAY | 52 | 3393210 | >CAP - POWER CABLE -MOTOR | 83 | 2263102 | NUT - HEX 1/4"-20 [4.EA] |
| 22 | 3395612 | DECAL - LARGE, MAG 5 HS | 53 | 3391000 | MOTOR 12V DC | 84 | 2371712 | WASHER - 9/32" FLAT [4.EA] |
| 23 | 3395702 | DECAL - POSITIVE ION CONTROL | 54 | 1497070 | GEAR - WORM MOTOR | 85 | 9100100 | TERMINATOR |
| 24 | 2286792 | SWITCH - UP/DN CONTROL | 55 | 9250001 | PIN - MOTOR, 3/32" X 3/4" ROLL SS | 86 | 9100101 | TERMINATOR CUSHION |
| 25 | 2286793 | WASHER - SHIM .750 x .1 UP/DN SWITCH | 56 | 700032 | TERMINAL - MOTOR, FEM 12-10 [2.EA] | 87 | 9100620 | TERMINATOR SNAP & SWIVEL |
| 26 | 050176 | CABLE ASSY - MAG 5 (SHORT STOP) | 57 | 9010002 | BEARING - MOTOR SHAFT | 88 | 9280730 | BOLT - TRUSS 1/4" - 20 x 4" [4.EA] |
| 27 | 3394002 | CONTROL BOARD - MAG 5 | 58 | 2263112 | NUT - HEX #10-32 BZ | 89 | 9370010 | SCREW - #4 x 1/2" PPH [3.EA] |
| 28 | 1296831 | WIRE - CIRCUIT BREAKER JUMPER (RED) | 59 | 1421070 | COVER - MOTOR HOUSING (LEXAN) | 90 | 9950357 | WASHER - LOCK 1/4" SPLIT [4.EA] |
| 29 | 3398205 | CIRCUIT BREAKER - 30 AMP | 60 | 3393400 | SCREW - #8-18 x 1-1/4" PPHSMS SS [6.EA] | 91 | 2290828 | 24" BOOM - HEAVY DUTY |
| 30 | 1221490 | UP/DN SWITCH BOOT | 61 | 701-007 | O-RING - SMALL | | | |
| 31 | 1221491 | CIRCUIT BREAKER BOOT | 62 | 2332103 | SCREW-#6-20 X 3/8" | | | |

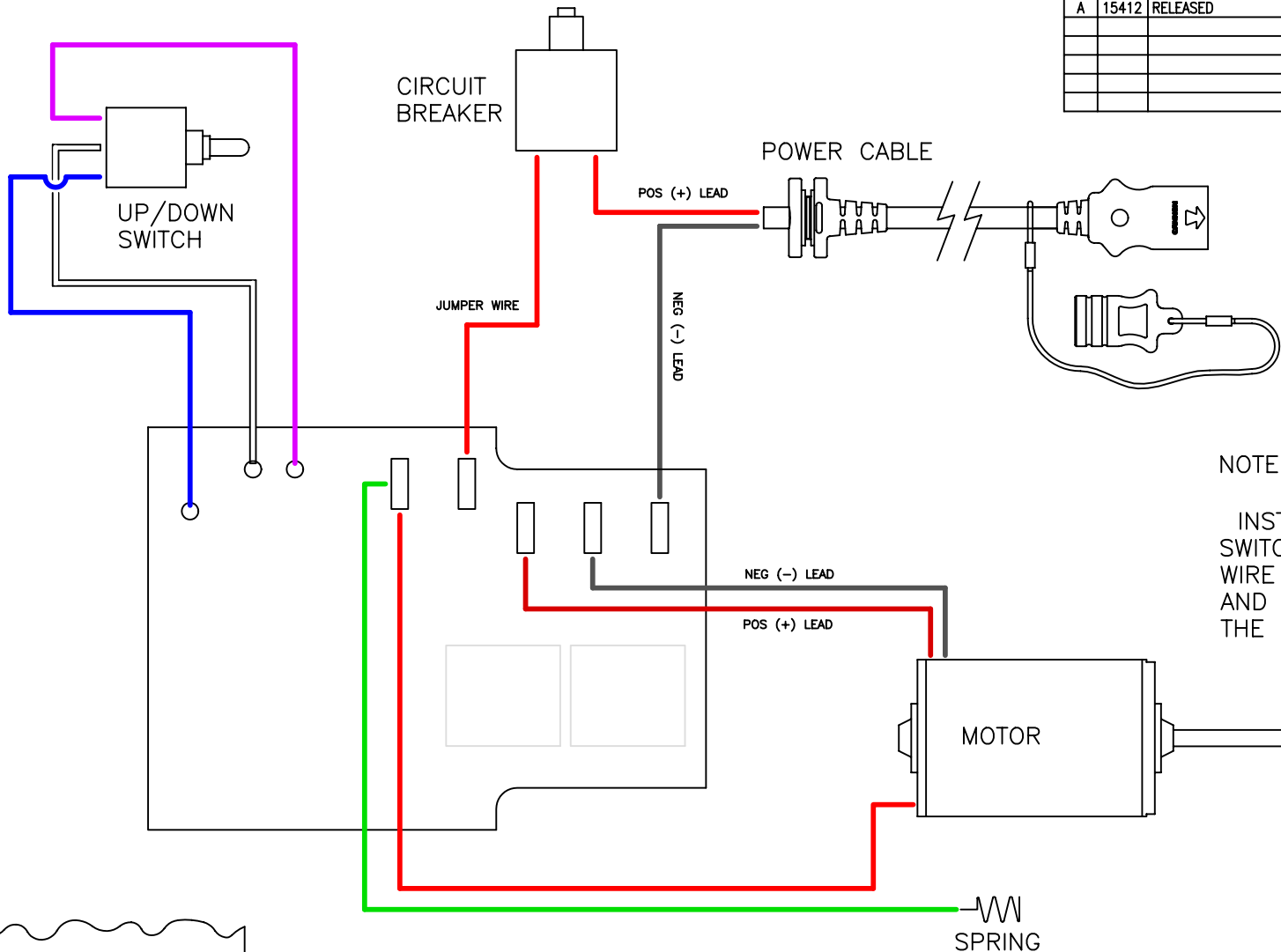
> PART OF ASSEMBLY

▶ ITEM CANNOT BE SOLD SEPARATELY

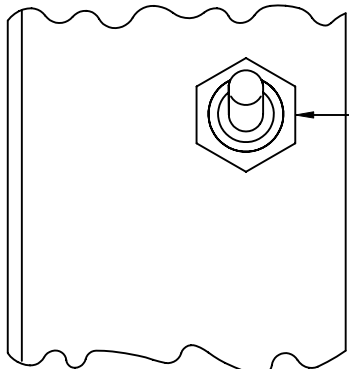
* PARTS USED BUT NOT SHOWN

PART NO: 339-8102

| REVISIONS | | | | | |
|-----------|---------|-------------|-----|----------|----------|
| REV. | ECN NO. | DESCRIPTION | BY | DATE | APP'D BY |
| A | 15412 | RELEASED | JLL | 10/18/06 | DJ |
| | | | | | |
| | | | | | |
| | | | | | |



NOTE:
INSTALL THE UP/DOWN SWITCH WITH THE PURPLE WIRE IN THE UP POSITION AND THE BLUE WIRE IN THE DOWN POSITION



UP/DOWN SWITCH

MINN KOTA
OPERATIONS
MANKATO, MN

A DIVISION OF **JOHNSON OUTDOORS**
THE SPIRIT OF ADVENTURE

TOLERANCES:
UNLESS OTHERWISE SPECIFIED
.XXX ±.0010
.XX ±.005
.X ±.010
X ±.015
FRACTIONAL ± 1/64
ANGULAR DIMENSIONS ± 0°30'

CONFIDENTIAL PROPERTY—
This document is the confidential property of Johnson Outdoors and is loaned subject to return upon demand; title to same is never sold/transferred for any reason. This document is to be used only pursuant to written instructions of Johnson Outdoors. All rights to designs and inventions are reserved by Johnson Outdoors. Possession of this document is accepted subject to the foregoing.

THIRD ANGLE PROJECTION

DRAWN BY: JLL
DATE: 10/18/06

APP'VD BY: DJ
DATE: 10/18/06

CHECKED BY:
DATE:

| | | |
|----------------|--------------------------------------|----------|
| FINISH: NONE | PART NAME: MAG 10 & 5 WIRING DIAGRAM | A SIZE |
| MATERIAL: NONE | RELEASED ECN# 15412 | REV: A |
| | PART NO.: 339-8102 | |
| | SCALE: NONE | U/M: IN. |

D

C

B

A

4

3

2

1

4

3

2

1