

NOTE:
WIRING DIAGRAM
DRAWING #3398102

In the U.S.A., replacement parts may be ordered directly from CANNON Parts Dept., 121 Power Drive, Mankato, Minnesota 56001. In Canada, parts may be ordered from any of the Canadian Authorized Service Centers shown on the enclosed list. Be sure to provide the MODEL and SERIAL numbers of your downrigger when ordering parts. Please use the correct part numbers from the parts list. Payment for any parts ordered from the CANNON parts department, may be by cash, personal check, Discover Card, MasterCard or VISA. To order, call 1-800-227-6433 or FAX 1-800-527-4464.

| | | | | | | | | |
|----|---------|---------------------------------------|----|---------|---|-----|---------|--|
| 1 | 3392500 | FRAME - LARGE BLACK (LEXAN) | 37 | 9400005 | SPRING - SHAFT CONTACT | 73 | 0267001 | ▶SIDE PLATE (RH) |
| 2 | 4427005 | NOSE DECAL MAGNUM | 38 | 4421002 | COVER - GEAR CASE | 74 | 0267002 | ▶SIDE PLATE (LH) |
| 3 | 9040040 | HOOK - 1/4" - 20 ROLLED | 39 | 2372100 | SCREW - #8 x 5/8" PPHMS [5.EA] | 75 | 0269726 | ▶PULLY - SWIVEL HEAD |
| 4 | 2263102 | NUT - HEX 1/4"-20 | 40 | 9010310 | WASHER - THRUST [2.EA] | 76 | 3397300 | ▶WASHER - .735 OD X .36 ID |
| 5 | 9280750 | SCREW - 1/4" - 20 (RH) x 3/4" PPH | 41 | 9010280 | BEARING - THRUST | 77 | 9010070 | ▶HDW BEARING BRASS[2.EA] |
| 6 | 0849615 | BASE LOCK KNOB | 42 | 2998906 | KNOB BRAKE | 78 | 2227820 | BOOM END - TELESCOPIC (LEXAN) |
| 7 | 9040340 | BOLT - 3/8"-16 X 1-1/2" HEX | 43 | 0649001 | ▶KNOB - HAND ADJUST | 79 | 2200148 | SNAP & INSULATOR [2.EA] |
| 8 | 9010001 | BEARING - REEL SHAFT NYLINER [2.EA] | 44 | 9130390 | ▶NUT - KNURLED INSERT 3/8"-24 | 80 | 1007334 | MOUNTING BASE (LEXAN) |
| 9 | 9430210 | WASHER - 1-1/16" OD X 7/8" ID (NYLON) | 45 | 1479070 | O-RING - REEL SHAFT | 81 | 2994893 | *BAG ASSEMBLY, MOUNTING (KIT #3) |
| 10 | 0220477 | DEPTH COUNTER - 3 DIGIT | 46 | 9370205 | SCREW - 1/4" x 3/4" HEX WASH HD [3.EA] | 82 | 2263102 | NUT - HEX 1/4"-20 [4.EA] |
| 11 | 0833561 | GEAR - COUNTER | 47 | 3993200 | POWER CABLE ASSEMBLY | 83 | 2371712 | WASHER - 9/32" FLAT [4.EA] |
| 12 | 0274000 | REEL ASSEMBLY - HS ELECTRIC | 48 | 3393200 | >POWER CABLE - BATTERY | 84 | 9100100 | TERMINATOR |
| 13 | 0233560 | >GEAR REEL | 49 | 3393201 | >CAP - POWER CABLE - BATTERY | 85 | 9100101 | TERMINATOR CUSHION |
| 14 | 0274731 | ▶REEL - MACHINED 3.75" | 50 | 3393202 | >POWER CABLE - MOTOR | 86 | 9100620 | TERMINATOR SNAP & SWIVEL |
| 15 | 1480071 | SHAFT - REEL | 51 | 3393210 | >CAP - POWER CABLE - MOTOR | 87 | 9280725 | BOLT - TRUSS 1/4" - 20 x 2-1/2" [8.EA] |
| 16 | 9340131 | SCREW - SET 5/16"-18 x 1-3/4" (REEL) | 52 | 3391000 | MOTOR 12V DC | 88 | 9370010 | SCREW - #4 x 1/2" PPH [3.EA] |
| 17 | 3775394 | SPOOL CABLE SS [250.FT] | 53 | 1497070 | GEAR - WORM MOTOR | 89 | 9950357 | WASHER - LOCK 1/4" SPLIT [4.EA] |
| 18 | 9100070 | CABLE LEADER SLEEVE [2.EA] | 54 | 9250001 | PIN - MOTOR, 3/32" X 3/4" ROLL SS | 90 | 2210821 | TELESCOPIC BOOM |
| 19 | 3396552 | MOTOR HOUSING - MAG 10 (LEXAN) | 55 | 700032 | TERMINAL - MOTOR, FEM 12-10 [2.EA] | 91 | 2219822 | >BASE TUBE CLAMP |
| 20 | 1497074 | LENS - WINDOW DISPLAY | 56 | 9010002 | BEARING - MOTOR SHAFT | 92 | 2219823 | >MID TUBE CLAMP |
| 21 | 3395607 | DECAL - LARGE, MAG 10 | 57 | 2263112 | NUT - HEX #10-32 BZ | 93 | 2222825 | >MID TUBE COLLET |
| 22 | 3395702 | DECAL - POSITIVE ION CONTROL | 58 | 1421070 | COVER - MOTOR HOUSING (LEXAN) | 94 | 2222826 | >BASE TUBE COLLET |
| 23 | 2286792 | SWITCH - UP/DN CONTROL | 59 | 3393400 | SCREW - #8-18 x 1-1/4" PPHSMS SS [6.EA] | 95 | 2290828 | ▶BOOM BASE TUBE (BLACK) |
| 24 | 2286793 | WASHER - SHIM .750 x .1 UP/DN SWITCH | 60 | 701-007 | O-RING - SMALL | 96 | 2290829 | ▶BOOM MID TUBE (BLACK) |
| 25 | 050176 | CABLE ASSY - MAG (SHORT STOP) | 61 | 2332103 | SCREW #6-20 X 3/8" | 97 | 2290830 | ▶BOOM END TUBE (BLACK) |
| 26 | 3394002 | CONTROL BOARD - MAG HS | 62 | 3395630 | DECAL - CANNON LARGE [2.EA] | 98 | 2998905 | SWIVEL BASE |
| 27 | 1296831 | WIRE - CIRCUIT BREAKER JUMPER (RED) | 63 | 2477001 | BAG ASSY - SINGLE ROD HOLDER | 99 | 2249001 | >KNOB - RELEASE PIN (LEXAN) |
| 28 | 3398205 | CIRCUIT BREAKER - 30 AMP | 64 | 0290796 | >TUBE - ROD HOLDER | 100 | 2267001 | >BASE PLATE (LEXAN) |
| 29 | 1221490 | UP/DN SWITCH BOOT | 65 | 2151726 | >WASHER - 5/16" FLAT | 101 | 2267002 | >SWIVEL PLATE (LEXAN) |
| 30 | 1221491 | CIRCUIT BREAKER BOOT | 66 | 2383106 | >NUT - 5/16"-18 SS | 102 | 2267006 | >INDEXING PLATE (TAPPED) |
| 31 | 1480070 | SHAFT - DRIVE | 67 | 3319005 | >CLAMP - ROD HOLDER w/ SLOT | 103 | 2277001 | >NUT - RETAINER RELEASE |
| 32 | 9250002 | PIN - DRIVE SHAFT 3/16" ROLL SS | 68 | 3325002 | >DISK - ROD HOLDER | 104 | 2287002 | >SPRING - RELEASE PIN |
| 33 | 0467695 | BRAKE PLATE - REEL | 69 | 9040310 | >BOLT - HEX 5/16"-18 x 2" | 105 | 2372100 | >SCREW - #8 x 5/8" PPHMS [2.EA] |
| 34 | 3391710 | CLUTCH PAD | 70 | 9430160 | >WASHER - STAR 5/16" | 106 | 3392600 | >RELEASE PIN |
| 35 | 1433074 | GEAR - DRIVER WORM | 71 | 2277002 | >UNIVERSAL LINE RELEASE | 107 | 9010004 | >BEARING - SWIVEL BASE [2.EA] |
| 36 | 9010003 | BEARING - DRIVE SHAFT NYLINER | 72 | 3992300 | SWIVEL HEAD ASSEMBLY | | | |

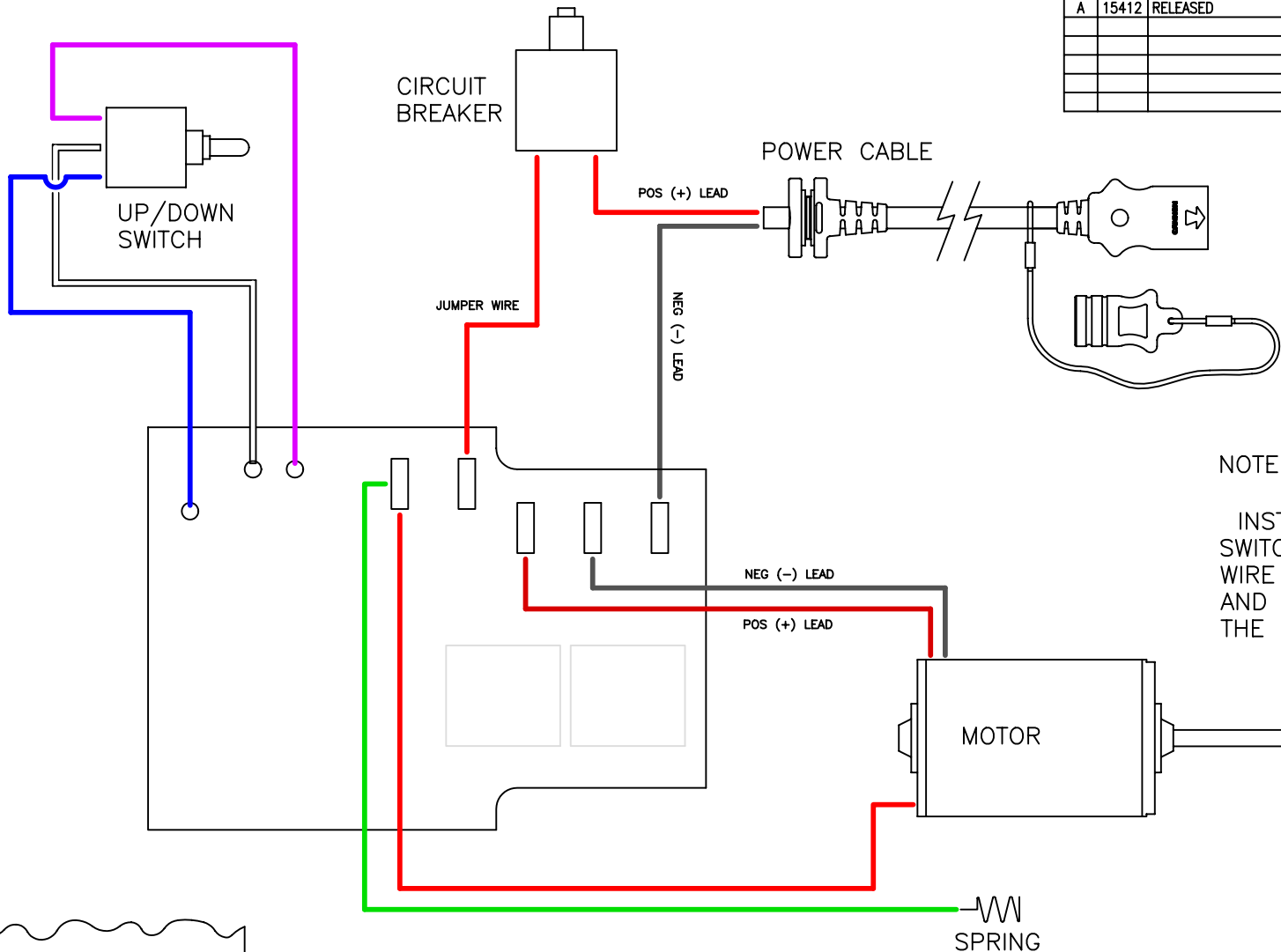
> PART OF ASSEMBLY

▶ ITEM CANNOT BE SOLD SEPARATELY

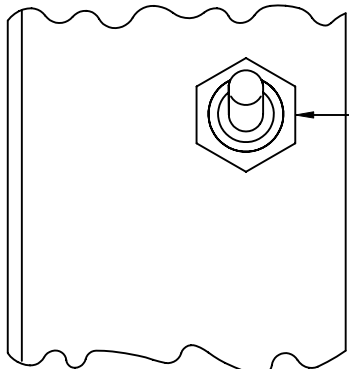
* PARTS USED BUT NOT SHOWN

PART NO: 339-8102

| REVISIONS | | | | | |
|-----------|---------|-------------|-----|----------|----------|
| REV. | ECN NO. | DESCRIPTION | BY | DATE | APP'D BY |
| A | 15412 | RELEASED | JLL | 10/18/06 | DJ |
| | | | | | |
| | | | | | |
| | | | | | |



NOTE:
 INSTALL THE UP/DOWN SWITCH WITH THE PURPLE WIRE IN THE UP POSITION AND THE BLUE WIRE IN THE DOWN POSITION



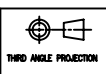
UP/DOWN SWITCH

MINN KOTA
 OPERATIONS
 MANKATO, MN

A DIVISION OF **JOHNSON OUTDOORS**
THE SPIRIT OF ADVENTURE

TOLERANCES:
 UNLESS OTHERWISE SPECIFIED
 .XXX ±.0010
 .XX ±.005
 .X ±.010
 .X ±.015
 FRACTIONAL ± 1/64
 ANGULAR DIMENSIONS ± 0°30'

CONFIDENTIAL PROPERTY—
 This document is the confidential property of Johnson Outdoors and is loaned subject to return upon demand; title to same is never sold/transferred for any reason. This document is to be used only pursuant to written instructions of Johnson Outdoors. All rights to designs and inventions are reserved by Johnson Outdoors. Possession of this document is accepted subject to the foregoing.



DRAWN BY: JLL
DATE: 10/18/06
APP'VD BY: DJ
DATE: 10/18/06
CHECKED BY: [blank]
DATE: [blank]

| | | |
|--------------------------|--|-------------------|
| FINISH: NONE | PART NAME: MAG 10 & 5 WIRING DIAGRAM | A SIZE |
| MATERIAL: NONE | RELEASED ECN# 15412 | REV.: A |
| | PART NO.: 339-8102 | |
| | SCALE: NONE | U/M: IN. |