

NOTE:  
WIRING DIAGRAM  
DRAWING #3398101

In the U.S.A., replacement parts may be ordered directly from CANNON Parts Dept., 121 Power Drive, Mankato, Minnesota 56001. In Canada, parts may be ordered from any of the Canadian Authorized Service Centers shown on the enclosed list. Be sure to provide the MODEL and SERIAL numbers of your downrigger when ordering parts. Please use the correct part numbers from the parts list. Payment for any parts ordered from the CANNON parts department, may be by cash, personal check, Discover Card, MasterCard or VISA. To order, call 1-800-227-6433 or FAX 1-800-527-4464.

|    |         |                                       |    |         |   |     |         |  |
|----|---------|---------------------------------------|----|---------|---|-----|---------|--|
| 1  | 3392505 | FRAME - LARGE WHITE (LEXAN)           | 41 | 1221491 | CIRCUIT BREAKER BOOT                    | 81  | 9430160 | >WASHER - STAR 5/16"                   |
| 2  | 4427005 | NOSE DECAL MAGNUM                     | 42 | 1480070 | SHAFT - DRIVE                           | 82  | 2200109 | >OFFSHORE SALTWATER RELEASE            |
| 3  | 9040040 | HOOK - 1/4" - 20 ROLLED               | 43 | 9250002 | PIN - DRIVE SHAFT 3/16" ROLL SS         | 83  | 3992300 | SWIVEL HEAD ASSEMBLY                   |
| 4  | 2263102 | NUT - HEX 1/4"-20                     | 44 | 0467695 | BRAKE PLATE - REEL                      | 84  | 0267001 | ▶SIDE PLATE (RH)                       |
| 5  | 9280750 | SCREW - 1/4" - 20 (RH) x 3/4" PPH     | 45 | 3391710 | CLUTCH PAD                              | 85  | 0267002 | ▶SIDE PLATE (LH)                       |
| 6  | 0849615 | BASE LOCK KNOB                        | 46 | 1433074 | GEAR - DRIVER WORM                      | 86  | 0269726 | ▶PULLY - SWIVEL HEAD                   |
| 7  | 9040340 | BOLT - 3/8"-16 X 1-1/2" HEX           | 47 | 9010003 | BEARING - DRIVE SHAFT NYLINER           | 87  | 3397300 | ▶WASHER - .735 OD X .36 ID             |
| 8  | 9010001 | BEARING - REEL SHAFT NYLINER [2.EA]   | 48 | 9400005 | SPRING - SHAFT CONTACT                  | 88  | 9010070 | ▶HDW BEARING BRASS[2.EA]               |
| 9  | 9430210 | WASHER - 1-1/16" OD X 7/8" ID (NYLON) | 49 | 4421002 | COVER - GEAR CASE                       | 89  | 2227820 | BOOM END - TELESCOPIC (LEXAN)          |
| 10 | 3320011 | DEPTH COUNTER - 3 DIGIT (METRIC)      | 50 | 2372100 | SCREW - #8 x 5/8" PPHMS [5.EA]          | 90  | 2200148 | SNAP & INSULATOR [2.EA]                |
| 11 | 3333010 | COUNTER GEAR (METRIC)                 | 51 | 9010310 | WASHER - THRUST [2.EA]                  | 91  | 1007334 | MOUNTING BASE (LEXAN)                  |
| 12 | 0854654 | COUNTER CUSHION/STOPPER [2.EA]        | 52 | 9010280 | BEARING - THRUST                        | 92  | 2994893 | *BAG ASSEMBLY, MOUNTING (KIT #3)       |
| 13 | 3397916 | REEL ASSEMBLY - TS ELECTRIC (METRIC)  | 53 | 2998906 | KNOB BRAKE                              | 93  | 2263102 | NUT - HEX 1/4"-20 [4.EA]               |
| 14 | 3333011 | >GEAR REEL (METRIC)                   | 54 | 0649001 | ▶KNOB - HAND ADJUST                     | 94  | 2371712 | WASHER - 9/32" FLAT [4.EA]             |
| 15 | 3397902 | ▶REEL - 3.75" SS                      | 55 | 9130390 | ▶NUT - KNURLED INSERT 3/8"-24           | 95  | 9100100 | TERMINATOR                             |
| 16 | 1459666 | REEL MAGNET [2.EA]                    | 56 | 1479070 | O-RING - REEL SHAFT                     | 96  | 9100101 | TERMINATOR CUSHION                     |
| 17 | 1480071 | SHAFT - REEL                          | 57 | 9370205 | SCREW - 1/4" x 3/4" HEX WASH HD [3.EA]  | 97  | 9100620 | TERMINATOR SNAP & SWIVEL               |
| 18 | 3393412 | SCREW - SET 5/16"-18 x 1" (REEL)      | 58 | 3993200 | POWER CABLE ASSEMBLY                    | 98  | 9280725 | BOLT - TRUSS 1/4" - 20 x 2-1/2" [8.EA] |
| 19 | 3775397 | SPOOL CABLE SS [400.FT]               | 59 | 3393200 | >POWER CABLE - BATTERY                  | 99  | 9370010 | SCREW - #4 x 1/2" PPH [3.EA]           |
| 20 | 9100070 | CABLE LEADER SLEEVE [2.EA]            | 60 | 3393201 | >CAP - POWER CABLE - BATTERY            | 100 | 9950357 | WASHER - LOCK 1/4" SPLIT [4.EA]        |
| 21 | 3396534 | MOTOR HOUSING - MAG 20 TS (LEXAN)     | 61 | 3393202 | >POWER CABLE - MOTOR                    | 101 | 3392010 | TELESCOPIC BOOM SS                     |
| 22 | 1497074 | LENSE - WINDOW DISPLAY                | 62 | 3393210 | >CAP - POWER CABLE -MOTOR               | 102 | 2219822 | >BASE TUBE CLAMP                       |
| 23 | 3395601 | DECAL - LARGE, MAG 20 DT/TS           | 63 | 3391000 | MOTOR 12V DC                            | 103 | 2219823 | >MID TUBE CLAMP                        |
| 24 | 3395700 | DECAL - POSITIVE ION CONTROL TS       | 64 | 1497070 | GEAR - WORM MOTOR                       | 104 | 2222825 | >MID TUBE COLLET                       |
| 25 | 2286792 | SWITCH - UP/DN CONTROL                | 65 | 9250001 | PIN - MOTOR, 3/32" X 3/4" ROLL SS       | 105 | 2222826 | >BASE TUBE COLLET                      |
| 26 | 3391722 | WASHER-FLAT 7/16 SAE                  | 66 | 700032  | TERMINAL - MOTOR, FEM 12-10 [2.EA]      | 106 | 3392001 | ▶BOOM BASE TUBE (SS)                   |
| 27 | 2286793 | WASHER - SHIM .750 x .1 UP/DN SWITCH  | 67 | 9010002 | BEARING - MOTOR SHAFT                   | 107 | 3392002 | ▶BOOM MID TUBE (SS)                    |
| 28 | 3395701 | DECAL - PIC KNOB DIAL TS              | 68 | 2263112 | NUT - HEX #10-32 BZ                     | 108 | 3392003 | ▶BOOM END TUBE (SS)                    |
| 29 | 050268  | CABLE ASSY - MAG20DT (DATA IN/OUT)    | 69 | 3390201 | COVER - MOTOR HOUSING TS (LEXAN)        | 109 | 2998905 | SWIVEL BASE                            |
| 30 | 050215  | POSITIVE ION CONTROL POT              | 70 | 3393400 | SCREW - #8-18 x 1-1/4" PPHSMS SS [6.EA] | 110 | 2249001 | >KNOB - RELEASE PIN (LEXAN)            |
| 31 | 611005  | KNOB - POSITIVE ION CONTROL           | 71 | 701-007 | O-RING - SMALL                          | 111 | 2267001 | >BASE PLATE (LEXAN)                    |
| 32 | 700176  | CAP - CONNECTION PORT [2.EA]          | 72 | 2332103 | SCREW-#6-20 X 3/8"                      | 112 | 2267002 | >SWIVEL PLATE (LEXAN)                  |
| 33 | 609209  | CABLE ASSY - MAG20DT UP/DN SWITCH     | 73 | 3395632 | DECAL - CANNON LARGE TS [2.EA]          | 113 | 3391919 | >INDEXING PLATE (TAPPED)               |
| 34 | 609253  | CABLE ASSY - ANTENNA IN (SENSOR)      | 74 | 3991903 | BAG ASSY - REAR ROD HOLDER TS           | 114 | 2277001 | >NUT - RETAINER RELEASE                |
| 35 | 1234002 | INSERT - 1/4" PRESS THD #6-32         | 75 | 0290796 | >TUBE - ROD HOLDER                      | 115 | 2287002 | >SPRING - RELEASE PIN                  |
| 36 | 603103  | SCREW - MACH #6-32 x 3/8" SS          | 76 | 2151726 | >WASHER - 5/16" FLAT                    | 116 | 2372100 | >SCREW - #8 x 5/8" PPHMS [2.EA]        |
| 37 | 3394044 | CONTROL BOARD - MAG 20 DT             | 77 | 2383106 | >NUT - 5/16"-18 SS                      | 117 | 3392600 | >RELEASE PIN                           |
| 38 | 1296831 | WIRE - CIRCUIT BREAKER JUMPER (RED)   | 78 | 3319005 | >CLAMP - ROD HOLDER w/ SLOT             | 118 | 9010004 | >BEARING - SWIVEL BASE [2.EA]          |
| 39 | 3398205 | CIRCUIT BREAKER - 30 AMP              | 79 | 3325002 | >DISK - ROD HOLDER                      | 119 | 2200107 | OFFSHORE STACKER                       |
| 40 | 1221490 | UP/DN SWITCH BOOT                     | 80 | 9040310 | >BOLT - HEX 5/16"-18 x 2"               |     |         |  |

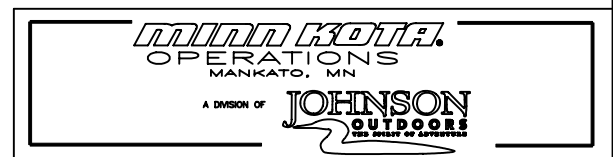
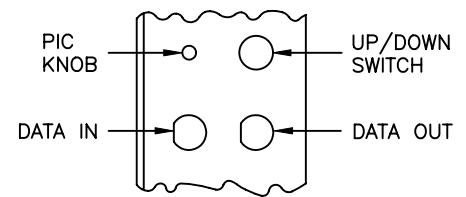
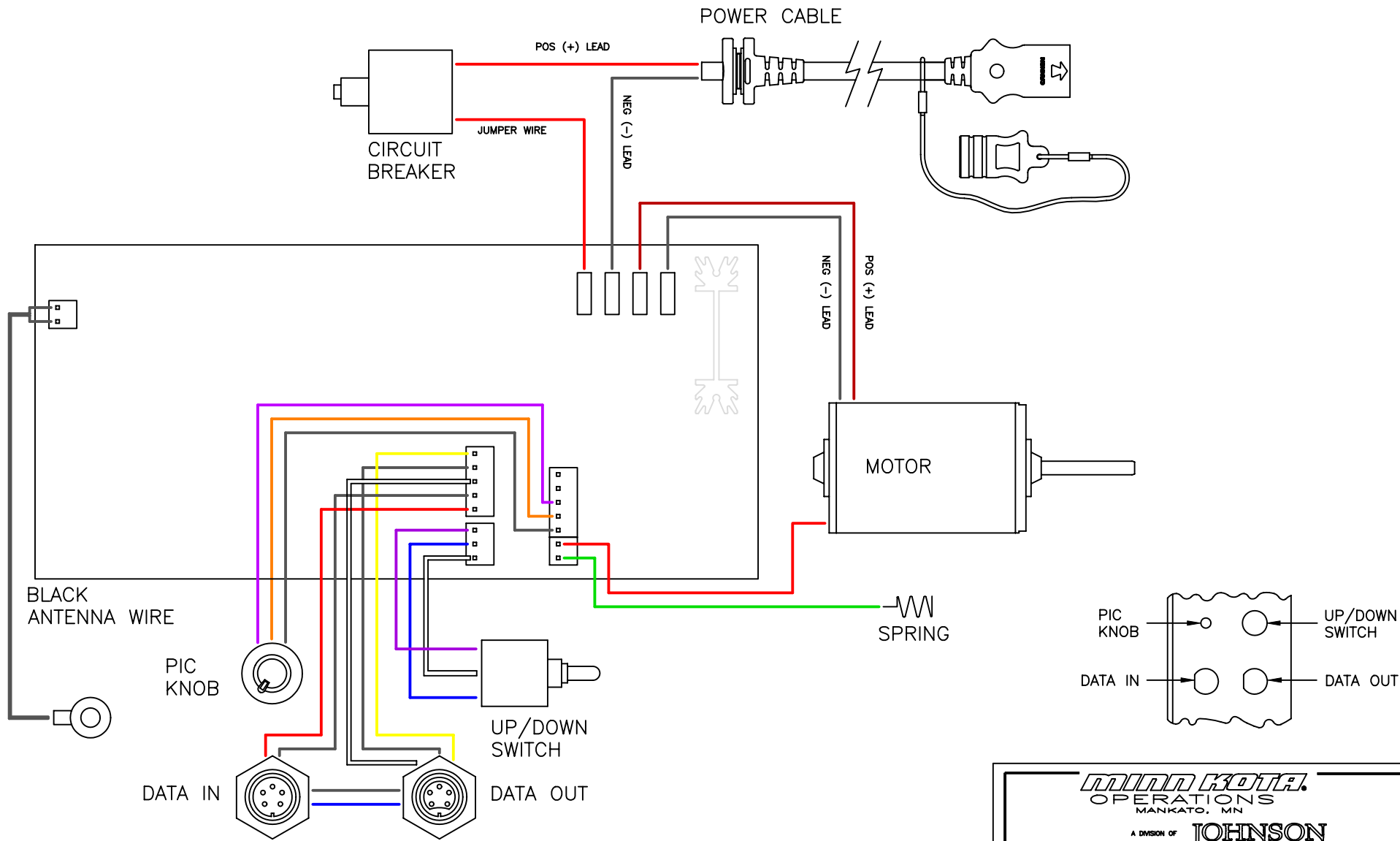
> PART OF ASSEMBLY

▶ ITEM CANNOT BE SOLD SEPARATELY

\* PARTS USED BUT NOT SHOWN

PART NO: 339-8101

| REVISIONS |         |                            |     |          |          |
|-----------|---------|----------------------------|-----|----------|----------|
| REV.      | ECN NO. | DESCRIPTION                | BY  | DATE     | APP'D BY |
| A         | 15412   | RELEASED                   | JLL | 10/18/06 | DJ       |
| B         | 30583   | REVISED IDC WIRE PLACEMENT | JLL | 11/05/07 | DJ       |
|           |         |                            |     |          |          |
|           |         |                            |     |          |          |



**TOLERANCES: UNLESS OTHERWISE SPECIFIED**  
 .XXX ±.0010  
 .XX ±.005  
 .X ±.010  
 .X ±.015  
 FRACTIONAL ± 1/64  
 ANGULAR DIMENSIONS ± 0°30'

**CONFIDENTIAL PROPERTY—**  
 This document is the confidential property of Johnson Outdoors and is loaned subject to return upon demand; title to same is never sold/transferred for any reason. This document is to be used only pursuant to written instructions of Johnson Outdoors. All rights to designs and inventions are reserved by Johnson Outdoors. Possession of this document is accepted subject to the foregoing.

**THIRD ANGLE PROJECTION**

DRAWN BY: JLL  
 DATE: 10/18/06  
 APP'VD BY: DJ  
 DATE: 10/18/06  
 CHECKED BY:   
 DATE:

|                |                                     |          |
|----------------|-------------------------------------|----------|
| FINISH: NONE   | PART NAME: MAG 20 DT WIRING DIAGRAM | A SIZE   |
| MATERIAL: NONE | RELEASED ECN# 15412                 | REV: B   |
|                | PART NO.: 339-8101                  |          |
|                | SCALE: NONE                         | U/M: IN. |