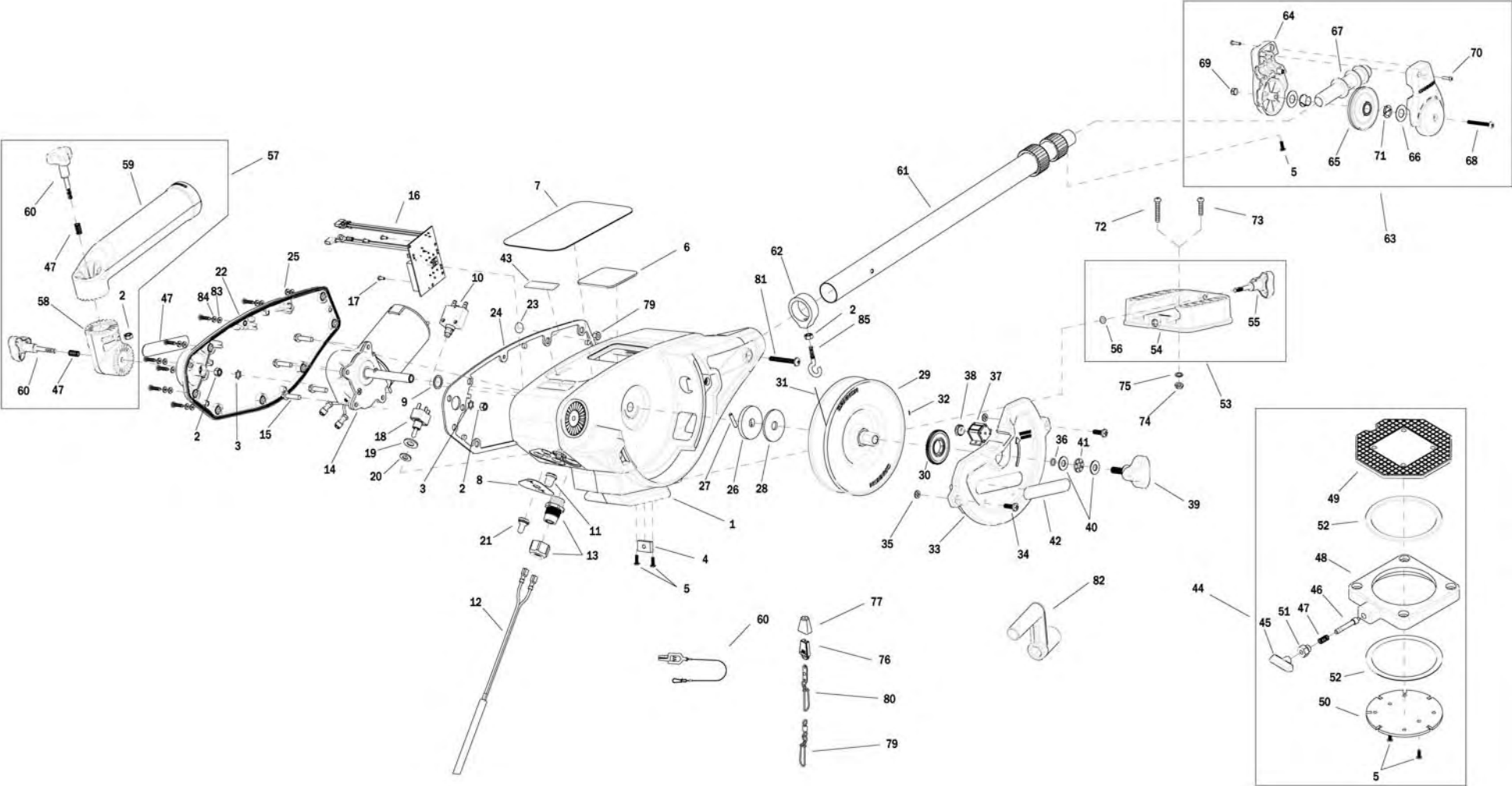


1902311 Magnum 10 STX TS / E



1902311 Magnum 10 STX TS /E

In the U.S.A., replacement parts may be ordered directly from CANNON Parts Dept., 121 Power Drive, Mankato, Minnesota 5600. Be sure to provide the MODEL and SERIAL numbers of your downrigger when ordering parts. Please use the correct part numbers from the parts list. Payment for any parts ordered from the CANNON parts department, may be by cash, personal check, Discover Card, MasterCard or VISA. To order, call 1-800-227-6433 or FAX 1-800-527-4464.

1	3392525	FRAME, RAW, TS	29	3397908	REEL, ROUGH, 3.75" OD	57	3991904	ASSY-CNN, ROD HOLDER
2	2263102	NUT-HEX 1/4-20 SS 300SRS	30	3333011	GEAR REEL (METRIC)	58	3394200	ARM, DUAL AXIS-ROD HOLDER
3	3394722	INSERT, PUSH ON	31	1015391	WIRE, .034 DIA, CAMO BULK	59	3392033	TUBE, DUAL AXIS RD HLDR
4	3394702	INSERT, BASE	32	9100070	CON LEADER SLEEVE	60	2200109	SALTWATER RELEASE
5	2372100	SCREW-#8-18 X 5/8 THD* (SS	33	3390206	COVER, REEL, TS	61	3392010	ASY BOOM TELESCOPIC, SS
6	3396510	LENS-WINDOW MAG DTIV	34	2373434	SCREW-1/4-20 X 3/4 SS PPMS	62	3397900	BALL HOOK EXTRUSION
7	3395581	DECAL, MAG 10, TS	35	2071718	WASHER #10 NYLON RETAINING	63	3990200	ASSY-CNN, BOOM END
8	3396601	SEAL PLATE, MAGNUM	36	3394605	O-RING, KNOB	64	3392520	CASE, PULLEY
9	3391730	WASHER, SEAL, DATA	37	3320011	COUNTER 3 DIGIT (METRIC)	65	3392300	SHEEVE, PULLEY
10	3398205	CIRCUIT BREAKER, 25 AMP	38	3333010	GEAR COUNTER (METRIC)	66	3391507	SHIM, BOOM END
11	1221491	BOOT CIRCUIT BREAKER	39	3390103	KNOB, SOFT GRIP, CLUTCH	67	3392013	BOOM END, NEW
12	3993220	ASSY, POWER CABLE, RETRO	40	9010310	HDW WASHER, THRUST	68	3393485	SCREW-#10-24X1.75 PPHMS S
13	3392920	STRAIN-RELIEF, HEYCO M4502	41	9010280	HDW BEARING, THRUST	69	3393124	NUT-#10-32 NYLOK 18-8 SS
14	3996515	MOTOR/GEAR HOUSING ASSY	42	3395634	DECAL- SIDE, BLACK	70	2303412	SCREW-#6-20 X 5/8 SELF TAP
15	3393411	SCREW-FLANGE HEX HI-LO	43	3395711	DECAL-PIC BLACK, TS	71	3390005	BEARING-NYLINER, #8L5-1/2-F
16	3394006	ASY PCA, MAGNUM	44	2998905	CNN ASY, SWIVEL BASE	72	9280720	HDW SCR 1/4 20X2 TRUSS HD PHIL
17	2302104	SCREW-#6-20 X 3/8	45	2249001	HDW KNB RELEASE PIN	73	9280713	HDW SCR 1/4 20X1 1/2 TRUSS HEA
18	2286792	SWITCH, TOGGLE	46	3392600	PIN - RELEASE	74	2263103	NUT-1/4-20 NYLOCK SS
19	3391722	WASHER, FLAT	47	2287002	HDW SPRING RELEASE PIN	75	2371712	WASHER-FLAT 9/32 X 5/8 X 1/16
20	2286793	HDW SHIM SWITCH .75X.1	48	2267001	ASY PLATE BASE MACHINED	76	9100100	CON TERMINATOR
21	1221490	BOOT SWITCH	49	2267002	BRK PLATE SWIVEL	77	9100101	CUSHION SLEEVE TERMINATOR
22	3390204	COVER, MOTOR, TS	50	3391919	PLATE, INDEX TS	78	9100620	HDW SNAP SWIVEL 4/0-37 MARLIN
23	401966-3	MIC VENT,PTFE LU LRA MATERIAL	51	2277001	HDW RETAINER RELEASE NUT	79	2200148	ASY SNAP & INSULATOR
24	3396902	GASKET, COVER	52	9010004	HDW BEARING SWIVEL BASE	80	9040040	HDW BOLT 1/4-20 ROLLEDTHD HOOK
25	3393480	SCREW-#10X.75"PPH HI-LO SS	53	3991930	ASY, MNT BASE DT/MAG	81	3393461	SCREW-1/4-20 x 2" SS, PPH
26	3391907	PLATE, CLUTCH SHAFT	54	3391955	BASE-MOUNT, DT PRO/MAG ST	82	3390910	HANDLE-CRANK, MANUAL
27	3392640	PIN, DRIVESHAFT	55	3390101	KNOB-CANNON, SOFT GRIP	83	3391732	WASHER, SEALING
28	3391711	PAD, CLUTCH	56	3393000	RING, RETAINING, 1/4" SHAFT	84	3394602	WASHER, FLAT, #8, SS



Magnum Series Wiring Diagram

