

Cannon makes it easy to convert your electric downrigger to computerized control...

DIGI-TROLL Conversion Kit

Converting Magnum 10™
or Magnum 10A™ to
Digi-Troll™

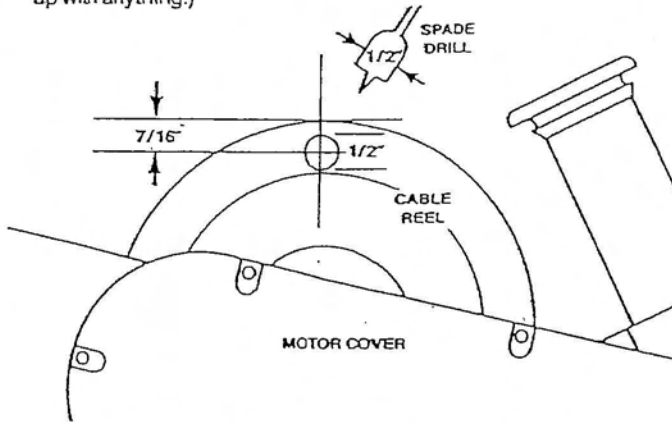
Conversion Kit No. DT10AK

Installing Magnet in Cable Reel

The disk magnet included in this kit, when mounted in your cable reel, becomes the signal generator that tells the Digi-Troll Control Unit where your trolling weight is.

Newer model downriggers already have a hole for mounting the magnet molded into rim of cable reel. If you have an older model, you'll have to drill the hole as follows:

1. Mark center of hole $7/16"$ from edge of reel on the side nearest motor. (Hole can be located anywhere around the rim—it doesn't have to line up with anything.)



2. Using a $1/2"$ spade drill, drill a hole approximately $3/16"$ deep: Use light pressure, in short spurts, to prevent overheating the plastic. Once the hole is well started, check the depth by inserting the magnet; deepen it a touch at a time until the magnet fits flush with face of reel.

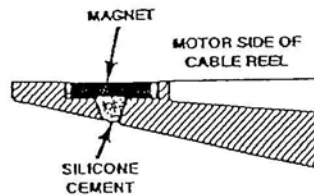
Note: If you get the hole too deep—or go clear through—don't worry; the hole can be easily filled (if you wish) from behind.

Drilling Tip: It is important to use sharp drill bits in plastic materials. If you have a variable speed drill, use slow speed.

3. Glue magnet in hole, flush with face of reel, using *Silicone Cement*.

(This is important, because silicone forms a pliable bond that resists the jarring and vibrations encountered when fishing.) Make sure you cover magnet all around the edge and across entire back with cement.

If your hole went all the way through reel, to keep magnet flush with face, stretch a piece of tape over hole, then insert magnet and cement from behind. If you want to completely fill the hole behind the magnet. After the silicone cement is set, use epoxy glue to fill it flush with inner surface of reel.



Be sure you follow instructions on the glue packages carefully, and that the bond is fully cured before putting it in service.

*If you only have twist drills, make sure they're sharp; drill a $3/16"$ guide hole before using the $1/2"$ drill bit.

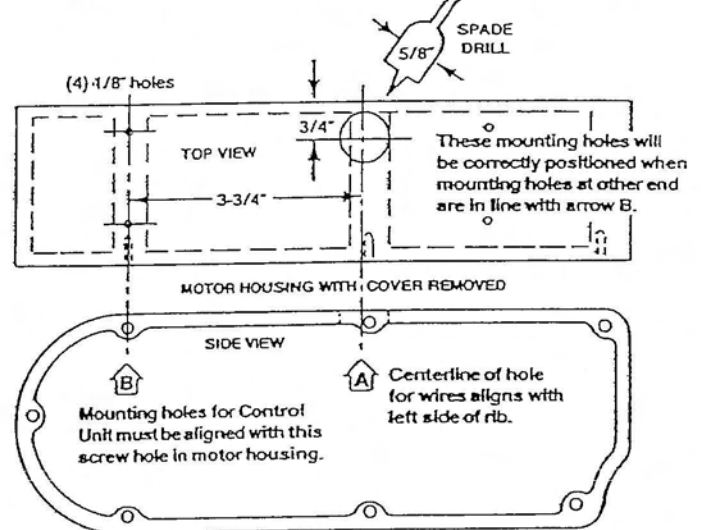
This Digi-Troll Conversion Kit Contains:

- | | |
|---------------------------|---|
| 1 Easy-Touch Control Unit | 1 Digi-Troll Operating Instructions Booklet |
| 1 Disk Magnet | 1 Digi-Troll Downrigger Label |
| 1 On/Off Switch | |
| 1 Switch Boot | |
| 4 Self-tapping Screws | |

Installing Easy-Touch Control Unit

1. Drill a wire access hole in top of motor housing as follows:

- a. Place center mark $3/4"$ in from back of housing, and approximately over left side of center rib as pictured—see arrow "A".



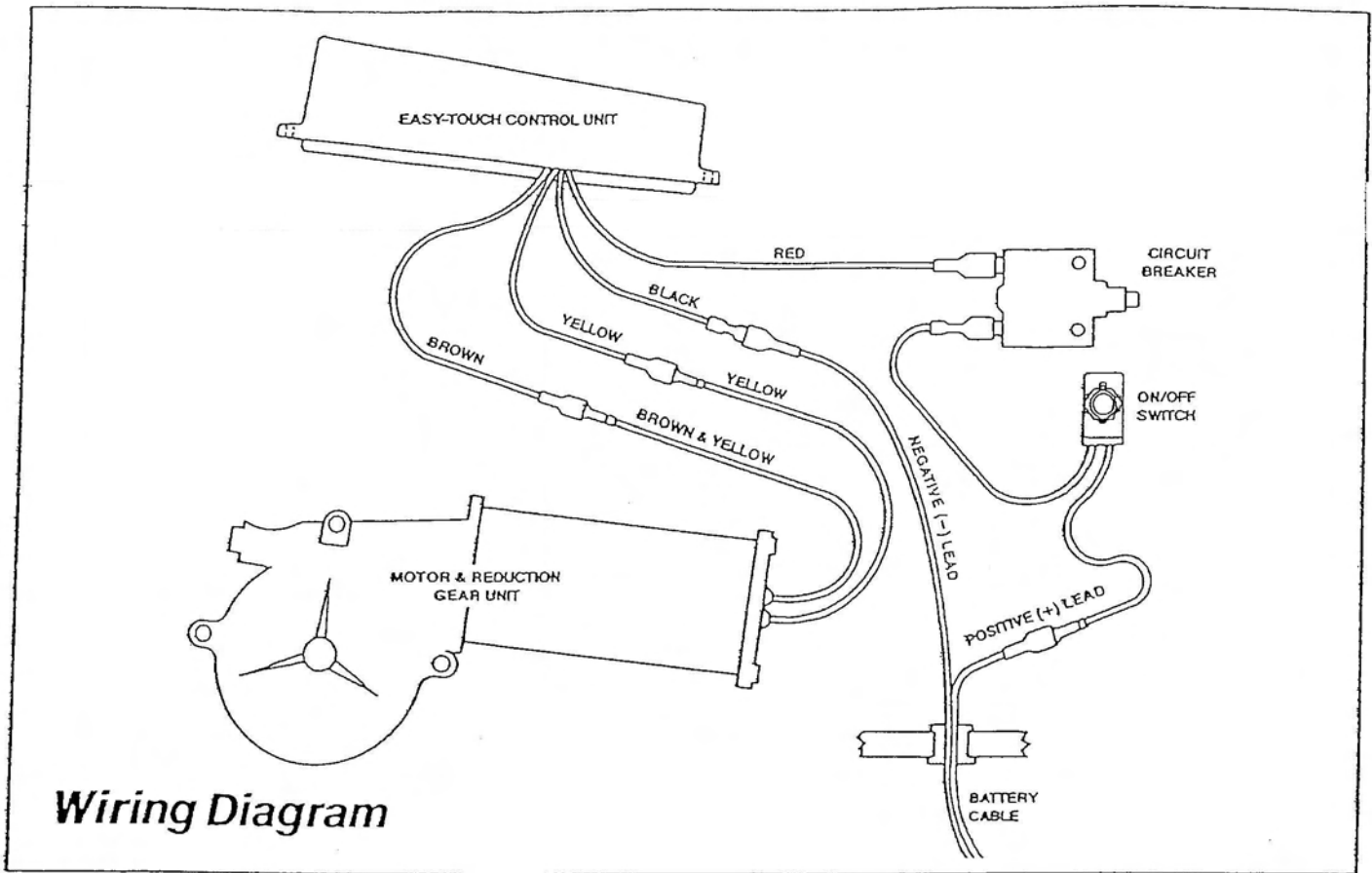
- b. Remove motor cover and push any wires out of the way of your drilling.

- c. Drill hole using a $5/8"$ spade drill.

Important: Be prepared to stop your drill as soon as it's through the housing, to keep it from striking motor. (If your drill "skids" slightly sideways because of the rib, no harm is done.)

2. Thread the four wires from Control Unit through the hole you just drilled and position Unit on top of motor housing so that: (a) Lip along lower right side of Control Unit is pressed tightly against top edge of housing, and (b) Mounting holes at upper end of Control Unit are lined up with screw hole in housing—see arrow "B".
3. Holding Control Unit firmly in the position described in Step 2, mark the locations of the screw holes, and drill four $1/8"$ pilot holes in top of motor housing.
4. Attach Control Unit using the four self-tapping screws provided.
5. Remove the 3-position motor switch from housing by unscrewing the switch boot from the outside.

Continued on other side



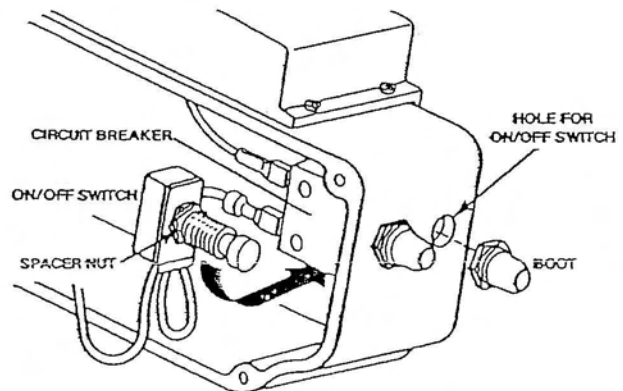
Installing Easy-Touch Control Unit — continued

6. Rearrange the wiring to include the Control Unit and new On/Off Switch, following the color-coding shown on the wiring diagram. (You will no longer need the short red wire that formerly connected the circuit breaker and motor switch.)
7. Wrap the exposed metal portion of the motor lead connectors and battery lead connectors with electrical tape.

Note: To double-check that you have traced the positive (+) side of the battery cable correctly, connect cable to battery and turn switch on. (Numbers will appear in the display window when power is on). Briefly press the "DOWN" key on control pad. If your downrigger starts to reel in instead of out, turn the switch off and reverse the two battery connections inside housing.
8. Check all wiring connections to make sure they're securely seated.
9. Mount the On/Off Switch in right-hand hole, next to circuit breaker: First turn the spacer nut as far onto the threaded shaft as it will go, then secure it with the new switch boot (which is same style as the one on circuit breaker). Tighten boot firmly, but be careful not to overtighten.
10. Replace motor cover, making sure all seven screws are fully seated. Always take care not to overtighten screws in plastic.
11. Peel the Magnum 10A label off your downrigger and replace it with the new Digi-Troll label supplied.

CAUTION: Actual fishing depth may vary from depth shown on Digi-Troll display meter due to trolling speed, weight of cannonball, and amount of cable wound on spool. Please consider these variables when determining desired fishing depth.

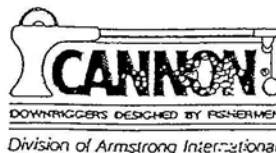
YOU NOW HAVE A CANNON DIGI-TROLL — today's most advanced electric downrigger!



Operating the Easy-Touch Controls

How to set up and use the Easy-Touch controls is pictured and described in the instruction booklet, "Simply Brilliant," included in your conversion kit.

All Cannon downriggers are covered by U.S. Pat. D-269,992. Digi-Troll units are also covered by U.S. Pat. 4376350 and Can. Pat. 1164656.



CANNON / S & K Products, Inc.
1732 Glade Street Muskegon, Michigan 49441
Copyright 1985, S & K Products, Inc. All rights reserved

Made in U.S.A.
FORM NO. 2281138