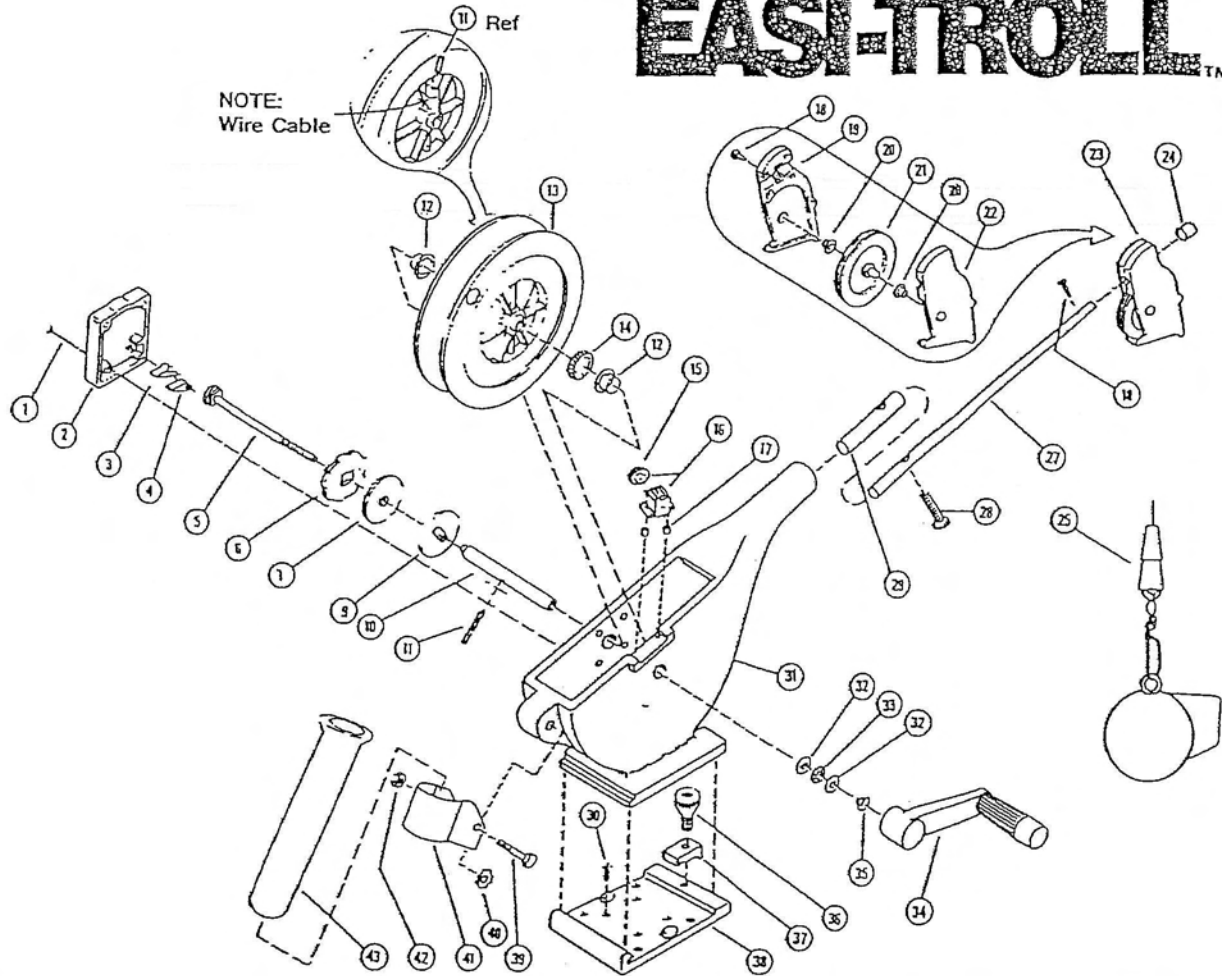


# EASI-TROLL™



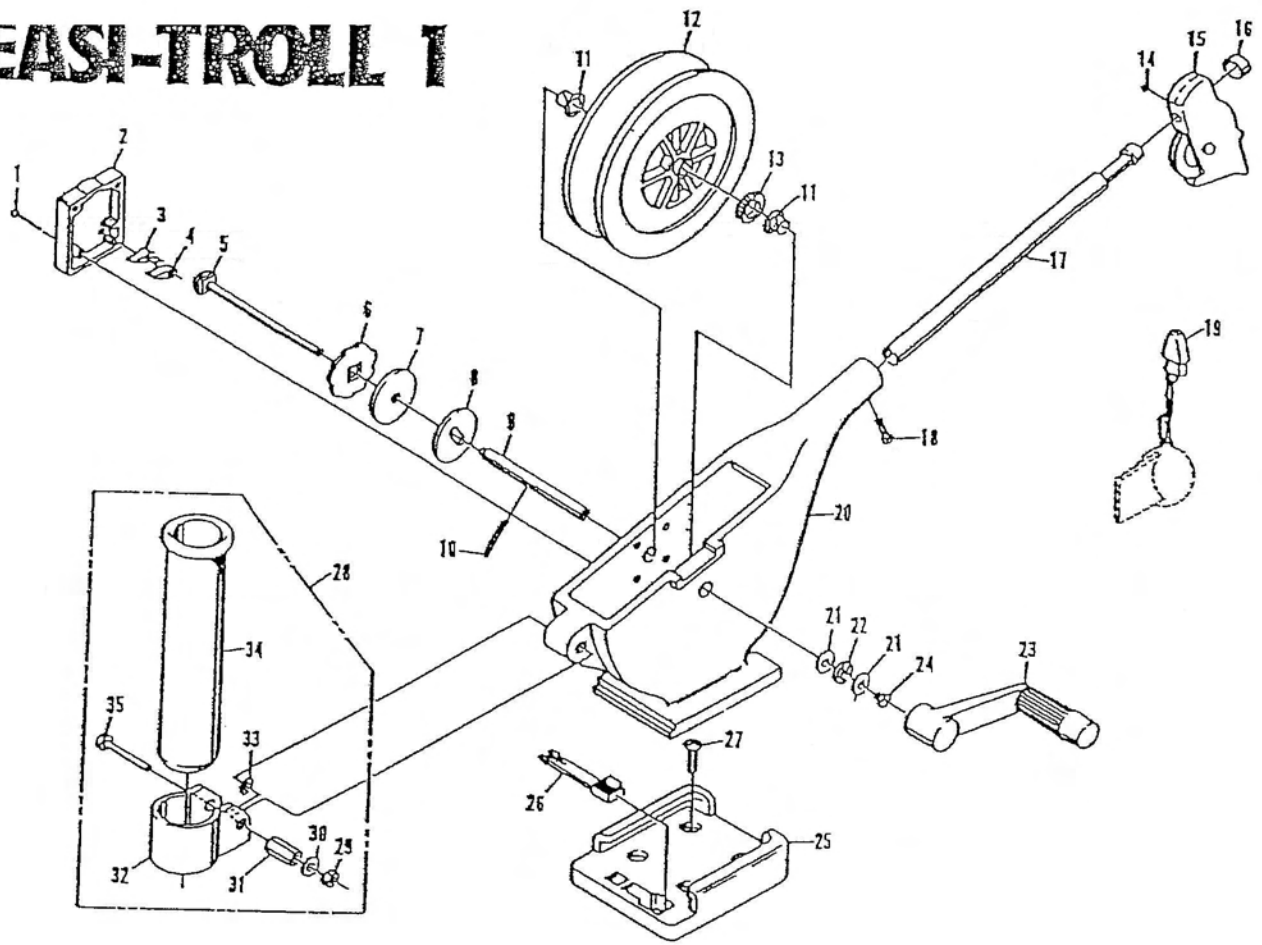
Key No.	Part Name	Drwg. No.	Part No.	Key No.	Part Name	Drwg. No.	Part No.
1.	Screw #10 x 1 1/4 ft. hd. (4 needed)	C3113	9370220	26.			
2.	Cover — clutch	C2271	1021480	27.	Boom 18" (stainless steel)	C2471-1	0210363
3.	Spring — ratchet dog	C2282	9400070	28.	Screw #10-24 x 1 Pan hd (boom locking)	C3072	9290020
4.	Dog — ratchet	C2283	9100160	29.	Seat — boom	C2791	0284777
5.	Shaft assy — ratchet	C2276A	1000904	30.	Screw 1/4-20 x 1 1/2 Undercut (pkg. of 4)	C2582A	9290311
6.	Plate — ratchet	C2515	0457694	31.	Frame — main (black) (white)	C2906B C2996W	0290692-3330003 0230004
7.	Pad clutch	C2290	1264670	32.	Face — thrust bearing (2 needed)	C2690	9010310
8.				33.	Bearing — thrust	C2689	9010290
9.	Plate — clutch	C2519	0467695	34.	Crank handle assembly	C2897A	0422002
10.	Shaft — reel Shaft — reel (revised)	C2516 C3240	0480748 1080001	35.	Spring — crank	C2293	9400040
11.	Screw 5/16-18 x 1 set (half-dog)	C2285	9340130	36.	Knob assy — thumb	C2186A	0249900
12.	Bearing — reel shaft (2 needed)	C2024	9010010	37.	Lug — retainer	C2145	0209347
13.	Reel assembly Reel & gear assembly (revised)	C2300A C3230A	0274000 0474001	38.	Plate — base	C2146	0257324
14.	Gear only (cable reel)	C2026	0233560	39.	Bolt 5/16-18 x 1 1/4 hex hd	C2034	9040310
15.	Gear only — depth meter	C2027	0833561	40.	Washer 3/8 star lock	C2348	9430160
16.	Meter assembly — depth	C2716A	0220126	41.	Clamp — rod holder	C2183-1	2419470
17.	Cushion — depth meter (2 needed)	C2893	0854654	42.	Nut 5/16-18 hex (rod holder clamp)	C2240	9130190
18.	Screw #4 x 1 1/2 pan hd (3 needed)	C2184	9370010	43.	Tube — rod holder	C2033	0290796
19.	Plate — side swivel head (left)	C3217L	0267002	44.	Cable — replacement 150 ft.	EC-150	2215302
20.	Bearing — brass pulley wheel (2 needed)	C2042	9010070	45.	Stop — edge	C3272	0487001
21.	Pulley wheel (swivel head)	C2353	0269726				
22.	Plate — side swivel head (right)	C3154R	0267001				
23.	Swivel head assembly	C2043AK	2250135				
24.	Cap — end	C2472	0216403				
25.	Terminator	C3199AK	2250141				

Any tackle dealer may order service parts. Check with your local dealer. For repair service, check listings of our service centers in the catalog or call for information.

**CANNON/S & K Products, Inc.**  
P.O. Box 954 Muskegon, MI 49443-0954

©1988 S & K Products, Inc. All rights reserved. Form No. 0481000 Rev. 8/88

# EASI-TROLL I



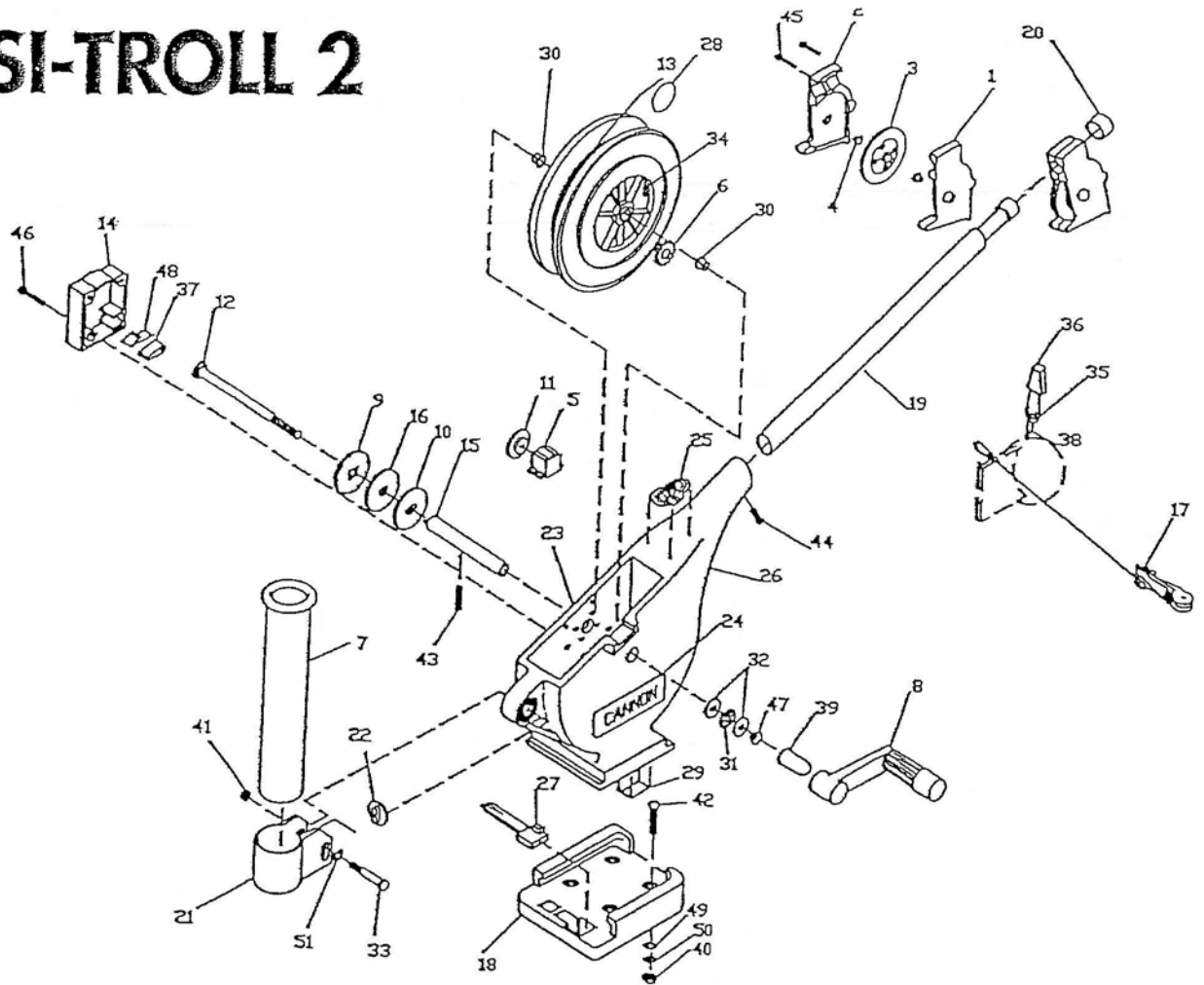
Key No.	Part Name	Part No.
1.	Screw #10 x 1-1/4 FL Hd. (4 needed)	9370220
2.	Cover — Clutch	1021480
3.	Spring — Ratchet Dog	9400070
4.	Dog — Ratchet	9100160
5.*	Shell Assembly — Ratchet	1000904
6.	Plate — Ratchet	0467894
7.	Pad — Clutch	1284670
8.	Plate — Clutch	0467895
9.	Shaft — Reel	1060001
10.	Screw 5/16-18 x 1 Set (Holt Dog)	9340130
11.*	Bearing — Reel Shaft (2 Needed)	9010010
12. & 13.	Reel Assembly — Cable	0274000
13.	Gear (Only) Reel	0233580
14.	Screw #4 x 1/2 Pan Hd. (2 needed)	9370010
15.	Swivel Head Assembly w/Counter	2250003
16.	Cap — Boom End	3316001
17.	Boom — 1 Foot Co-Polymer	3310001
18.	Screw #8 x 1 Pan Hd.	9370002
19.	Terminator (Pkg.)	2250141

Key No.	Part Name	Part No.
20.	Frame — Main w/Hex	3330003
21.	Race — Thrust Bearing (2 needed)	9010310
22.*	Bearing — Thrust	9010280
23.	Crank — Handle	0422003
24.	Spring — Crank	9400040
25.	Base Assembly — Tab Lock	3307001
26.	Tab — Locking	3391001
27.	Screw 1/4-20 x 7/8 Truss Hd. (4 needed)	9280710

## ROD HOLDER ASSEMBLY (OPTIONAL)

28.	Rod Holder Assembly (Hex) (Pkg.)	2450006
29.	Nut 5/16-18 Hex	9130190
30.	Washer 5/16 Flat	9430101
31.	Stop — Rod Holder Locking (Hex)	3387001
32.	Clamp — Rod Holder w/Hex	3319002
33.	Washer 5/16 Int./Ext. Lock	9430160
34.	Tube — Rod Holder	0250798
35.	Bolt 5/16-18 x 1-3/4 Hex Hd.	9040310
36.	Cable — Replacement 150 FL	2215392

# EASI-TROLL 2



Item	Part Number	Description
Exploded	0200135	ASY SWIVEL HEAD
1	*0267001	PLATE SIDE (RIGHT)
2	*0267002	PLATE SIDE (LEFT) W/O COUNTER
**3	*0269726	HDW PULLY WHEEL SWIVEL HD
4	*9010070	HDW BEARING BRASS
5	0220477	METER 3 DIGIT
Partially Exploded	0274738	ASY REEL 7 1/2" NEW
6	*0233560	GEAR REEL
7	0290796	TUBE ROD HOLDER
8	0422002	ASY CRANK HANDLE
**9	0467694	HDW RATCHET BRAKE FACE
10	0467695	HDW REEL PLATE CLUTCH/BRAKE
11	0833561	GEAR COUNTER
12	1000904	ASY SHAFT RATCHET UT6
13	1015391	WIR 316, 034 CAMO SS
14	1021480	HSG COVER CLUTCH UT6
15	1080001	SHAFT REEL ET/UT
16	1264670	ASY CLUTCH PAD SM HOLE
17	2277002	HDW RELEASE ASM UNIVERSAL
18	3307003	BAS TAB LOCK
19	3310002	ASY BOOM 2 FEET COPOLYMER (MACHINED)
20	3316001	HDW CAP-BOOM END
21	3319005	ASY HDW CLAMP ROD HOLDER OBROND
22	3325002	HDW DISC ROD HOLDER OBROND
23	3327002	DEC EMBLEM 3/4 X 3 SMALL
24	3327003	DEC EMBLEM 1 X 4 LARGE

Item	Part Number	Description
25	3327006	DEC EMBLEM NOSE EASI TROLL
26	3330001	FRAME "BLACK" W/O LOGO (SMALL)
27	3391001	HDW LOCKING TAB
28	608018	HDW RUBBER BAND 3 1/2" #19
29	804002	DEC SERIAL LBL .5 X 1.5 SILVER
**30	9010001	HDW BEARING NYLINER KEYED
**31	9010280	HDW BEARING TORQUE TRANS
32	9010310	HDW BEARING RACE TORQUE
33	9040310	HDW BOLT 5/16-18 X 2 HEX HEAD
34	9100070	CON LEADER SLEEVE
35	9100100	CON TERMINATOR
36	9100101	CUSHION SLEEVE TERMINATOR
**37	9100160	DOG RATCHET
38	9100620	HDW SNAP SWIVEL MARLIN
39	9100721	HDW RETAINER BEARING (SHIPPING)
40	9130100	HDW NUT 1/4-20 HEX
41	9130190	HDW NUT 5/16-18 HEX
42	9280725	HDW SCREW 1/4 20X2 1/2 TRUSS HD
43	9340130	HDW SCR SET 5/16-18X1 IN 1/2DG
44	9370002	HDW SCR #8 PAN HD SELF TAPP
45	9370010	HDW SCR #4X1/2 PAN HD PHIL
46	9370220	HDW SCR #10-1 1/4 FH TYPE A SS
47	9400040	HDW SPRING CRANK
48	9400070	HDW SPRING DOG
49	9430040	HDW WAS 1/4 IN FLAT
50	9430070	HDW WAS 1/4 IN SPLIT LOCK
51	9430101	HDW WAS 5/16 FLAT