

# The EXCITOR

Key No.	Part Name	Drwg. No.	Part No.
1.	Nut 5/16-18 hex	C2240	9130190
2.	Knob — rod holder adj. (2 needed)	C3145	2149002
3.	Washer 3/8 star lock	C2348	9430160
4.	Clamp — rod holder	C2183	2419470
5.	Bolt 5/16-18 x 2 1/4 hex hd	C2034	9040311
6.	Holder rod splined	C3054	2187007
7.	Knob assembly — thumb	C3114A	2149001
8.	Tube — rod holder	C2033	0290796
9.	Cord assembly safety	C3158	2122001
10.	Bearing nyliner (10L10F) (2 needed)	C2639	9010040
11.	Shaft — output	C3089	2180003
12.	Arm — driven	C3063	2102005
13.	Washer 7/16 external tooth (2 needed)	C3180	9430191
14.	Bolt 7/16-14 x 3/4 hex hd (2 needed)	C2185	9040400
15.	Stud-link arm (2 needed)	C3106	2187000
16.	Arm — connector link	C3061	2102003
17.	Nut 1/4-20 hex (2 needed)	C2109	9130100
18.	Arm — drive	C3062	2102004
19.	Label (2 needed)	C3146	2152003
20.	Screw #8 x 7/8 pan hd (12 needed)	C2127	9370100
21.	Plate - cage top	C3037	2167713
22.	Bearing nyliner 8L5 1/2 F	C3090	9010510
23.	Shaft - output	C3088	2180002
24.	Drive end — threaded	C2505	9100190
25.	Gear — metric (2 needed)	C3026	2133002
26.	Bearing nyliner 5L5F (2 needed)	C3086	9010490
27.*	Knob assembly — thumb	C2186A	0249900
28.*	Lug — retainer	C2145	0209347
29.*	Plate — base	C2146	0257324
30.*	Screw 1/4-20 x 1/2 flat hd under cut (4 needed)	C2582	9280310

Key No.	Part Name	Drwg. No.	Part No.
31.	Plate cage bottom	C3036	2167712
32.	Screw M6 x 12mm (2 needed)	C3139	9310011
33.	Pin 5/16 x 1 dowel	C3087	9250231
34.	Gear — pinion	C2901	2133001
35.	Control — electronic	C3147	2124001
36.	Wire assembly (black)	C2631A	0696000
37.	Wire assembly (yellow)	C2632A	0696001
38.	Wire assembly (red)	C2102A	1296830
39.	Time control	C3097	2170723
40.	Switch toggle w/hex nut	C3031	2186790
41.	Tape — double faced	C3207	9070575
42.	Cover — bottom	C3035	2121500
43.	Screw #12 x 3/4 pan hd (2 needed)	C3039	9280760
44.	Motor & gear unit assembly	C2592	0658662
45.	Cable assembly battery end	C2101A	1215392
46.	Cable assembly — motor	C2125A	1215393
47.	Strain relief cord	C2126	1235575
48.	Boot — switch	C2229	1221490
49.	Knob — potentiometer	C3099	2149623
50.	Label control	C3115	2152001
51.	Housing — Excitor	C3034	2143606
52.	Label — Excitor	C3118	2152002
53.	Spline — output	C3053	2187006

Any tackle dealer may order service parts. Check with your local dealer. For repair service, check listings of our service centers in the catalog or call for information.

**CANNON / S & K Products, Inc.**  
 1732 Glade Street Muskegon, Michigan 49441

©1988, S&K Products, Inc. All rights reserved. Made in U.S.A.  
 Form No. 2181001 Rev. 1/88

\*These parts can be ordered as a kit — Part No. 2207324.

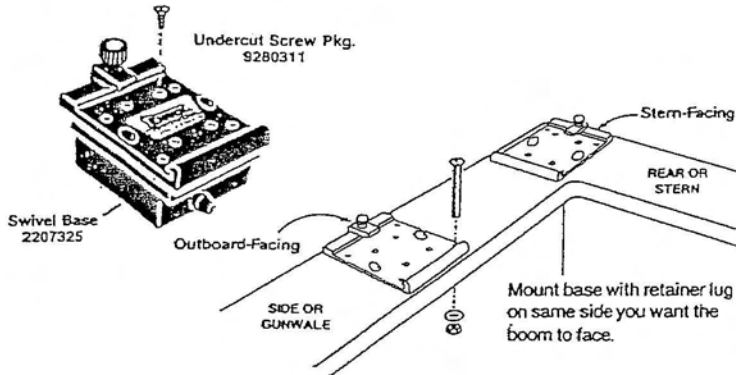


# The EXCITOR

## Setting Up Your Excitor

### Mounting of Base Plate

Base should be mounted so the full-width lip will hold the back edge of frame, using round head bolts, washers, and nuts as shown. (Cannon stainless steel bolts, Accessory No. 2250111 are ideal.) Alternately, depending on the surface you're fastening to, you may need to use round head screws. Use the Base as a template to mark locations of the required holes.



**Note:** The undercut screws provided (#9280311, pkg. of 4) are used to mount base plate key #29 to Cannon Swivel Base #2207325 or gimbal mount #2250928.

### Mounting Excitor to Base Plate

The Excitor can be used for either vertical or horizontal jiggling.

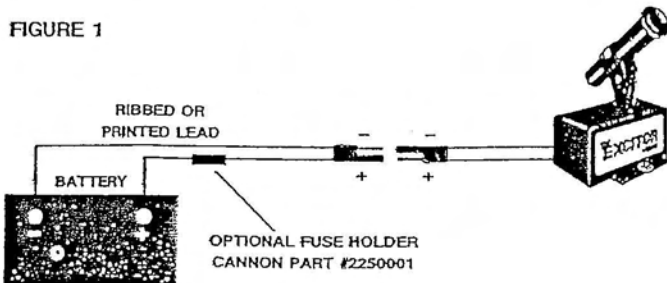
For horizontal use, slip the protruding edge on the bottom under the lip of the base plate. Make sure the retainer lug is seated in the recess on the front of the housing and tighten thumb screw.

For vertical use, stand unit on end and follow the same procedures as noted above.

### Electrical Connections

The ribbed or printed lead is the positive of the battery cable, key #45, and must be hooked to the positive post on the battery. We recommend that a 15 amp fuse be installed at the battery in the positive lead Cannon Optional Fuse Holder part #2250001.

FIGURE 1

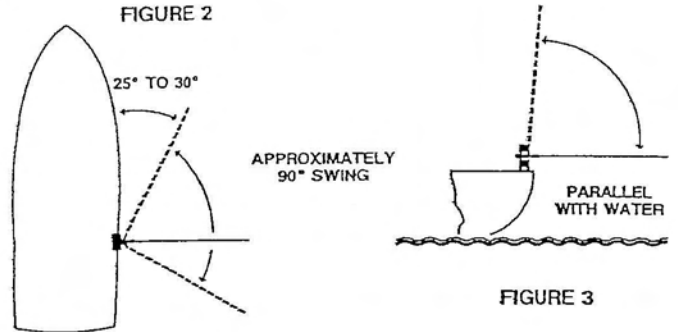


If the power cord is hooked to the battery with the leads reversed, the controls will not function properly. The unit will simply oscillate without pausing. Disconnect the battery connections and reverse hook up.

### Assemble Rod Holder to Unit

#### FOR HORIZONTAL JIGGING

The unit output and the rotating support, key #6, are splined and allow adjustment of 15 degrees between positions. Mount unit to base plate as described in mounting instructions, and turn unit on. Adjust the time control to get a pause of a few seconds at the end of each sweep. When the sweep is at full forward, shut the unit off. Loosen the knob, key #7, on the rod holder assembly until the rotating support, key #6, can be slipped over the output key #53. Position the support so the rod will be approximately 25 to 30 degrees off the beam of your boat. See figure #2. Retighten knob to lock in place.



#### FOR VERTICAL JIGGING

Stand the Excitor on end as described in the mounting instructions. Follow the same procedure as noted above except the downward sweep of the rod should stop parallel with or slightly above the water line.

### Safety Cord

The safety cord is to prevent the loss of your rod and reel if a fish should strike and pull them from the rod holder.

The safety cord, key #9, should be attached to the molded loop of the rotating support, key #6. Secure the other end to either the lower line guide of your rod or a secure part of your reel.

When the fish strikes, the safety cord can be removed from either end quickly with only one hand.

### Controls

The on/off switch controls the rod travel speed. The switch has a high/low and off position.

The time control knob controls the delay at each end of the rod sweep, from 0 to approximately 15 seconds.

### Service

If replacement of any internal components are necessary, we recommend the unit be serviced by a qualified Cannon service center.

Exciter

SCHEMATIC

