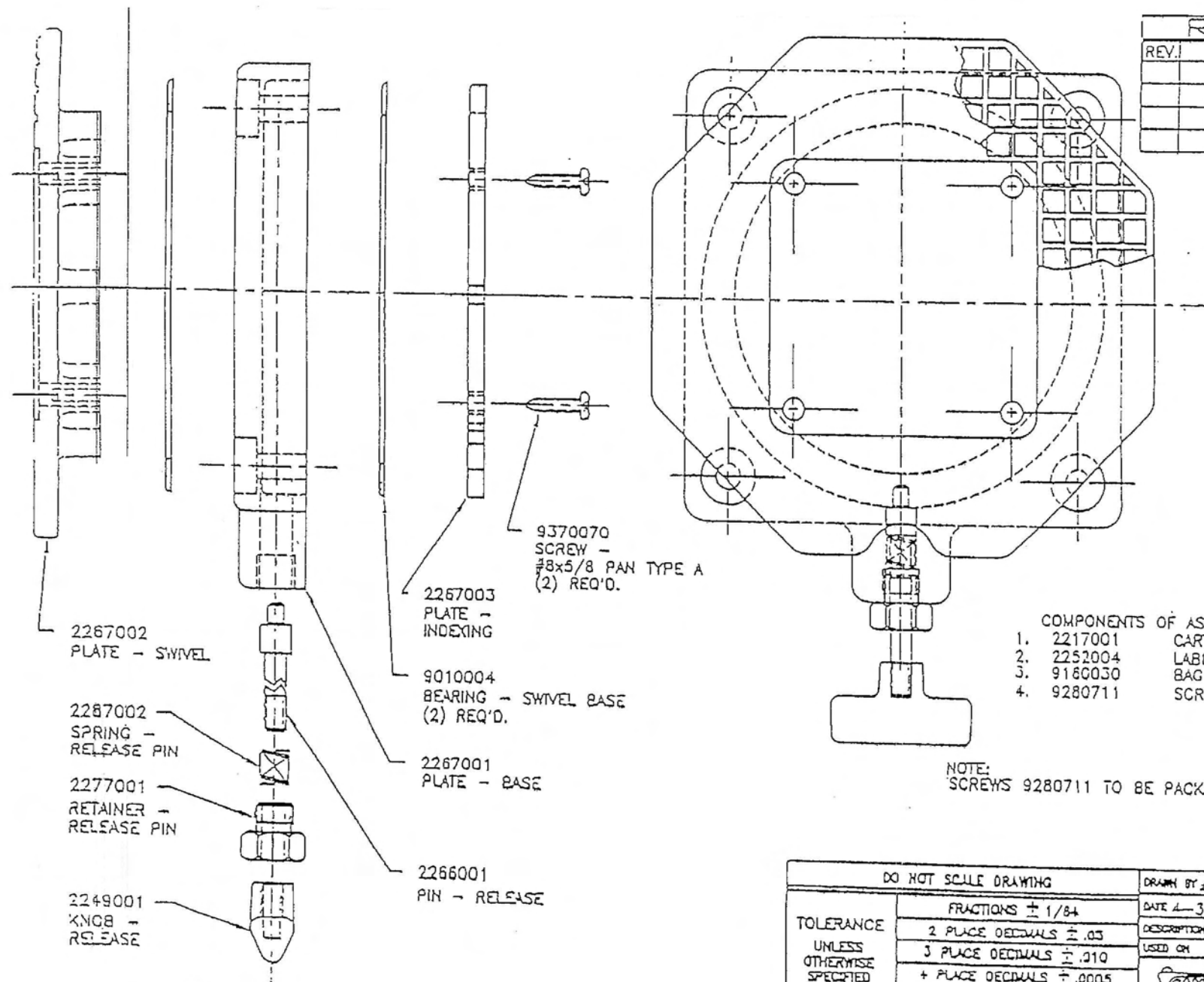


REVISIONS		
REV.	CHANGE	DATE IE
	RELEASED	16-5-8901



2267002
PLATE - SWIVEL

2287002
SPRING -
RELEASE PIN

2277001
RETAINER -
RELEASE PIN

2249001
KNGB -
RELEASE

2267003
PLATE -
INDEXING

9010004
BEARING - SWIVEL BASE
(2) REQ'D.


2267001
PLATE - BASE

2266001
PIN - RELEASE

9370070
SCREW -
#8x5/8 PAN TYPE A
(2) REQ'D.

- COMPONENTS OF ASSEMBLY NOT SHOWN:
- 2217001 CARTON - SWIVEL BASE
 - 2252004 LABEL - SWIVEL BASE CARTON
 - 9160030 BAG 2x3 2 MIL - PLASTIC
 - 9280711 SCREW 1/4-20x1 TRUSS HD.

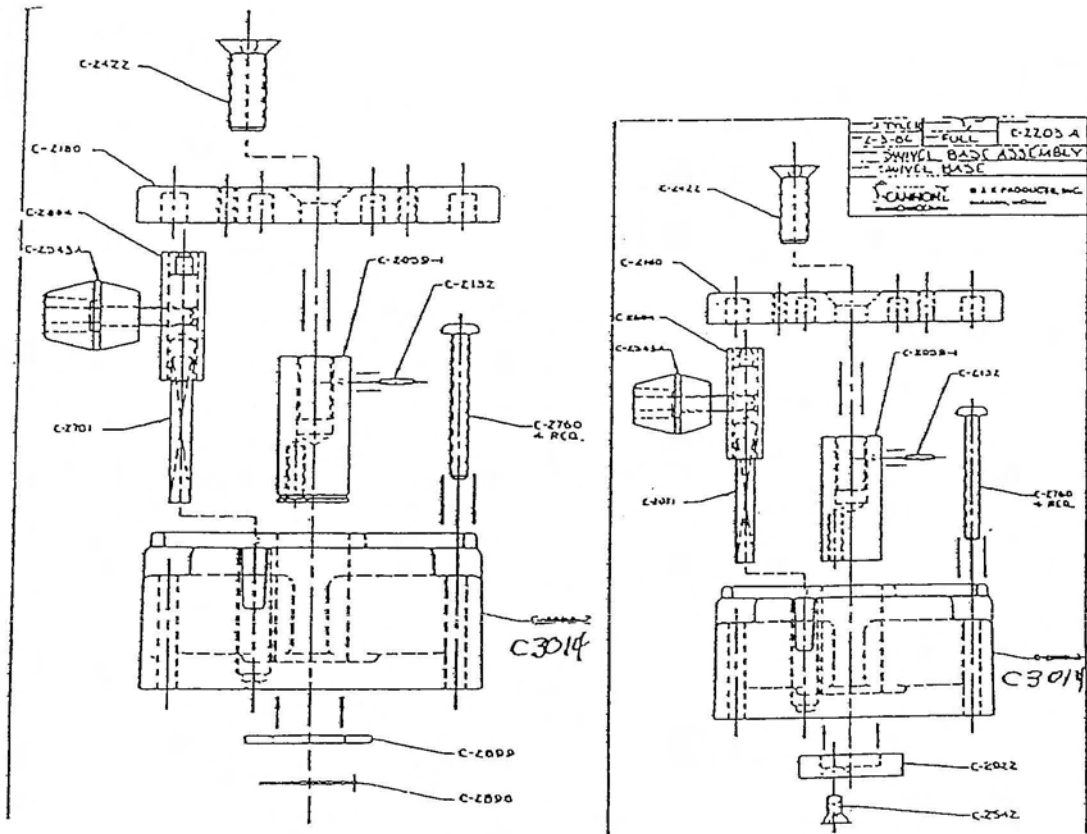
NOTE:
SCREWS 9280711 TO BE PACKAGED IN 9160030 PLASTIC BAG.

DO NOT SCALE DRAWING		DRAWN BY <i>Linda</i>	CHECKED BY <i>PLM</i>	PLANT NUMBER 220700
TOLERANCE UNLESS OTHERWISE SPECIFIED	FRACTIONS $\pm 1/84$	DATE 4-3-89	SCALE FULL	DRAWING NUMBER
	2 PLACE DECIMALS $\pm .05$	DESCRIPTION SWIVEL BASE ASSY.		
	3 PLACE DECIMALS $\pm .010$	USED ON		
	+ PLACE DECIMALS $\pm .0005$			
	ANGLES $\pm 1/2^\circ$	S & K PRODUCTS, INC. MUSKEGON, MICHIGAN		

LEXAN BODIED SWIVEL BASES

We have experienced a problem with the lock ring (C2898) popping loose, and in no case should the ring and washer be re-installed during service for other reasons. If the post has the offset hole drilled and tapped, the steel cap (C2922 and C2542) and screw may be retro-fit. If it doesn't have the hole, the post may be drilled using a 13/64 drill and 1/4 - 20 tap, using the hole in the steel cap as a drill locator.

Note: Parts C2422, C2180, C2059-1, and C2132 can only be ordered as a unit, C2180-A1.



Swivel Base

Lock Pin

The lock pin is made of brass and is designed to shear off if your rigger is rammed into something sufficient enough to do damage to it or your boat. New pins (C2060) made of stainless steel will have the same shear strength as the original brass pins.

When replacing the knob into new lock pin use Loctite on threads to secure knob firmly.

Brass Post

The older model has a brass post assembly using mushroomed over flange securing the base plate to it. If this is damaged it cannot be repaired successfully and the complete swivel base must be replaced.

Cushion Buttons

The cushion buttons (4) to stabilize the plate may be used to update older models and are placed near the center of the parallel sides, not at the corners.

The new base plate with post cannot be used to update older models as the stops are not located the same.

Other changes such as, C2531 nylon guide for locking pin and nylon post stop cap (C2532) have been made to make this unit withstand 1000 hours of hot salt water spray test.

QTY	(SWIVEL BASE ASSEMBLY)	PART NO.	(SWIVEL BASE ASSEMBLY CONT.)	PART NO.
1	1/4-20x1/4 STAINLESS STEEL FLAT HEAD MACHINE SCREW	C-2542	BRASS LOCK PIN HANDLE W/PIN	C-2543A
1	POST STOP CAP - NYLON	C-2532	NYLON GUIDE FOR LOCK PIN	C-2531
1	SWIVEL BASE	C-2092	BASE PLATE	C-2180
1	SPRING FOR LOCK PIN HANDLE	C-2071	CAP SCREW 1/2-13x1 1/4 FH SOCKET	C-2422
1	NYLON BEARING FOR BRASS POST	C-2420	BLACK NYLON BUTTON BEARING	C-2565
1	BRASS POST	C-2059	LOCK PIN	C-2060
1	PIN FOR BRASS POST	C-2132		

